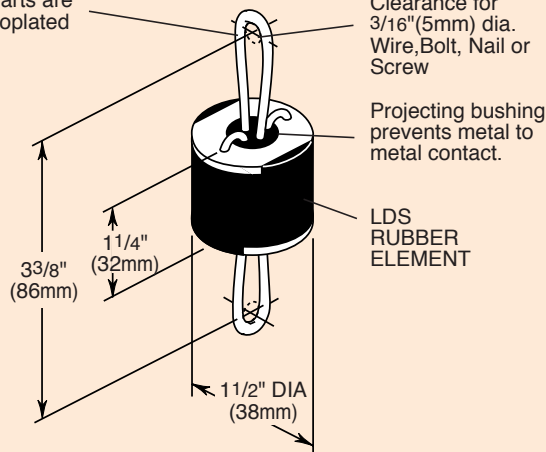


## WHR 0.2"(5mm) DEFLECTION LDS CEILING HANGERS for Wire or Horizontal Attachment

All Metal Parts are Zinc Electroplated



**NOTE –**  
Tested to Failure at 1200 lbs.(544 kgs)

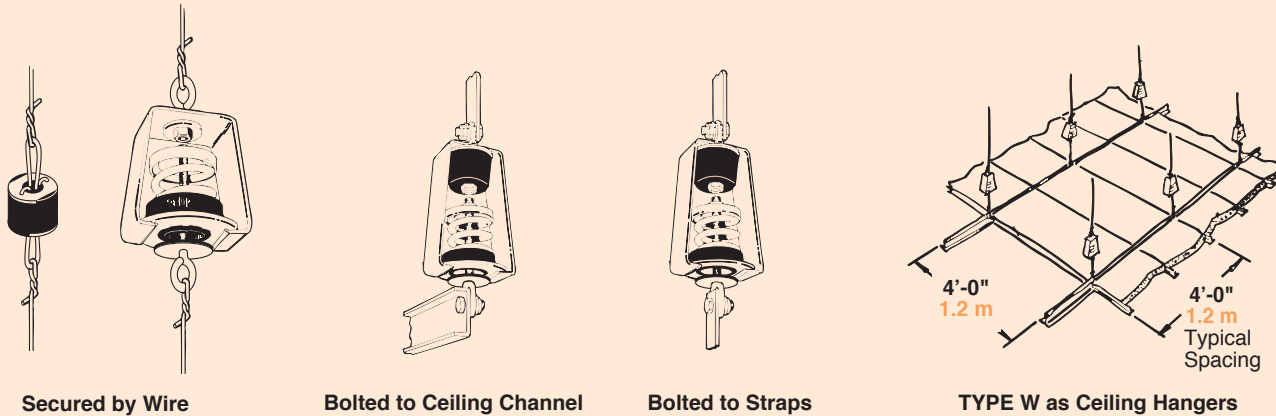
### Ratings for LDS Ceiling Hangers

Type	Size (Duro-meter)	Rated Capacity Range (lbs) (kgs)	Rated Defl. (in) (mm)	Color Mark
WHR-	40	Up to 60 <b>Up to 27</b>	0.20 <b>5</b>	Green
	50	55-95 <b>25-43</b>	0.20 <b>5</b>	Red
	60	90-155 <b>41-70</b>	0.20 <b>5</b>	White
	70	150-220 <b>68-100</b>	0.20 <b>5</b>	Yellow

Hanger elements have straight line deflection curves.

For a complete presentation of Mason Ceiling Hangers, please refer to Bulletin CH-620 in the Architectural section.

## W HANGER INSTALLATION METHODS



Secured by Wire

Bolted to Ceiling Channel

Bolted to Straps

TYPE W as Ceiling Hangers

### W Hanger Selections Based on Ceiling Weight

Ceiling Description	Ceiling Wt. (lbs/ft <sup>2</sup> ) (kg/m <sup>2</sup> )		Load Per Hanger (48"oc) (lbs) (kgs)		W30 W30N WHS WDNHS	Hanger Selections	
						WHD	WHR
1"(25mm) Acoustical Ceiling Tile	2.5	<b>12</b>	40	<b>18</b>	X54	A-BLACK	40
1 1/2"(38mm) Metal Lath and Gypsum Plaster	10.0	<b>49</b>	160	<b>73</b>	X175	B-RED	70
2 Layers 1/2" (13mm) Gypsum Board	5.0	<b>24</b>	80	<b>36</b>	X113	A-RED	50
2 Layers 3/4" (19mm) Gypsum Board	7.5	<b>37</b>	120	<b>54</b>	X130	A-RED	60

### PRODUCT FINISHES

All standard products have a painted or powder coated finish unless otherwise indicated. Springs are powder coated or zinc electroplated.

All hangers can be manufactured in stainless steel or hot dipped galvanized at additional cost.



# MASON INDUSTRIES, INC.

350 Rabro Drive, Hauppauge, NY 11788 • 631/348-0282 • FAX 631/348-0279  
2101 W. Crescent Ave., Suite D • Anaheim, CA 92801 • 714/535-2727 • FAX 714/535-5738  
Email info@Mason-Ind.com • Website www.Mason-Ind.com