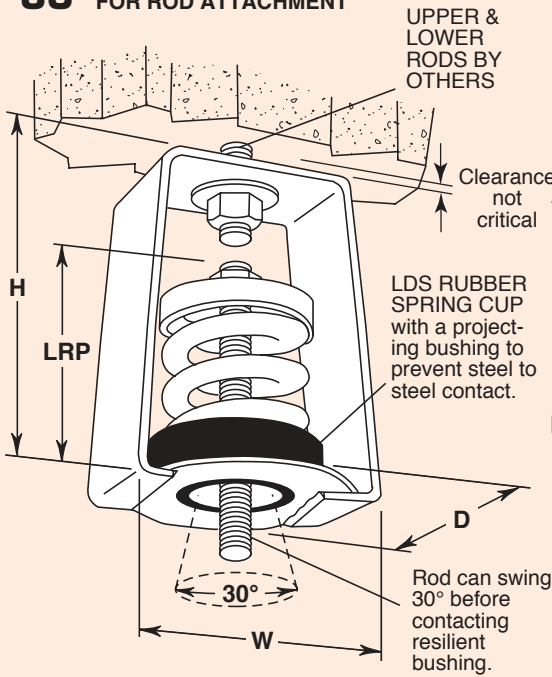
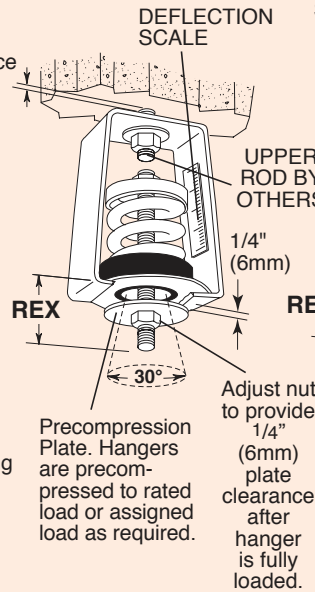


## 1"(25mm) DEFLECTION 30° SWING – X, A, B, C, D & F SPRING HANGERS

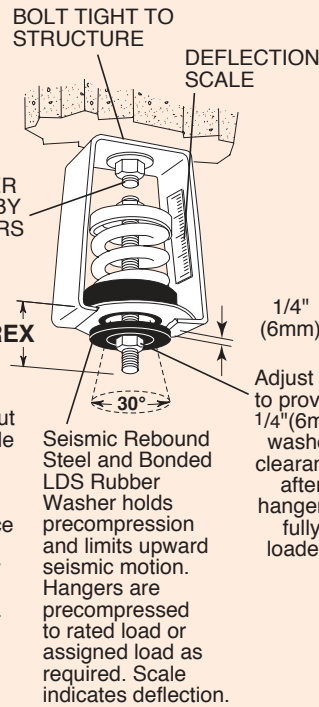
### 30 FOR ROD ATTACHMENT



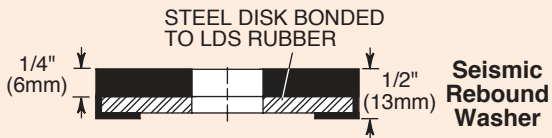
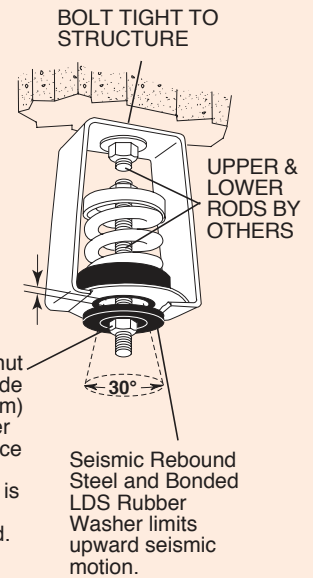
### PC30 TYPE 30 PRECOMPRESSED



### PC30S TYPE 30 PRECOMPRESSED & SEISMIC RESTRAINT



### RW30 TYPE 30 SEISMIC RESTRAINT



### Ratings & Dimensions for 1"(25mm) Deflection Spring Hangers (inches mm)

Type	Size	Rated Capacity (lbs)(kg)	Rated Defl. <sup>†</sup> (in)(mm)	Spring Constant (lbs/in)(kg/mm)	Spring Color	Spring Only			Lower Rod Penetration LRP	Max. Rod Dia. MRD	Rod Extension REX	Vertical 'G' Ratings			
						OD	Free Height	D				H	W	Tension	Compression
30-	X-12	12 5	1.25 32	10 0.18	Orange							10.0*	10.0*		
	X-23	23 10	1.30 33	18 0.30	Brown							10.0*	10.0*		
	X-33	33 15	1.10 28	30 0.54	Red							10.0*	10.0*		
	X-54	54 24	1.20 30	45 0.80	White							10.0*	10.0*		
	X-76	76 34	1.02 25	73 1.36	Black	11/2	21/2	21/2	41/4	27/8	31/2	3/8	13/4	10.0*	10.0*
	X-113	113 51	1.00 25	113 2.04	Yellow	38	64	64	108	73	89	10	44	10.0*	7.6
	X-130	130 59	1.00 25	130 2.36	Purple									10.0*	6.6
	X-175	175 79	1.00 25	175 3.16	Silver									10.0*	4.9
X-210	210 95	1.00 25	210 3.80	Blue									9.0	4.1	
PC30-	A-12	12 5	1.00 25	12 0.20	Red	13/4	17/8	23/4	53/4	31/4	31/2	5/8	21/4	10.0*	10.0*
	A-18	18 8	1.00 25	18 0.32	Gray	44	48	70	146	83	89	16	57	10.0*	10.0*
	A-25	25 11	1.00 25	25 0.44	Orange									10.0*	10.0
	A-41	41 19	1.18 30	35 0.63	Pink									10.0*	10.0*
	A-56	56 25	1.14 30	49 0.83	Black	13/4	21/4	23/4	53/4	31/4	4	5/8	21/4	10.0*	10.0*
PC30S-	A-73	73 33	1.06 27	69 1.22	Tan	44	57	70	146	83	102	16	57	10.0*	10.0*
	A-95	95 43	1.01 26	94 1.65	Green									10.0*	10.0*
	B-138	138 63	1.32 34	105 1.85	White									10.0*	10.0*
	B-222	222 101	1.16 29	191 3.48	Blue									10.0*	6.6
	B-278	278 126	1.09 28	255 4.50	Purple	23/8	27/8	4	71/4	43/4	41/4	5/8	21/4	10.0*	5.2
RW30-	B-336	336 152	1.00 25	336 6.08	Silver	60	73	102	184	121	108	16	57	10.0*	4.3
	B-410	410 186	1.07 27	385 6.89	Black									10.0*	3.6
	B-540	540 245	1.00 25	540 9.80	Yellow									10.0*	2.7
	C-630	630 286	1.13 29	558 9.86	Gray									10.0*	5.4
	C-800	800 363	1.00 25	800 14.5	Orange	27/8	35/8	4	83/4	51/4	5	3/4	21/4	7.9	4.0
RW30-	C-1010	1010 458	1.10 28	920 16.4	Green	73	92	102	222	132	127	19	70	6.3	3.1
	C-1265	1265 574	1.00 25	1265 23.0	Red									5.0	2.5
	D-1575	1575 714	1.23 31	1280 23.0	Pink	33/4	47/8	43/4	121/2	53/4	7	7/8	21/2	10.0*	6.0
	D-2150	2150 975	1.03 26	2095 37.5	Purple	95	124	121	318	146	178	22	69	9.0	4.4
	F-2760	2760 1252	1.00 25	2760 50.1	Silver	41/2	51/8	6	12	61/4	7	7/8	21/2	5.0	4.3
						114	130	152	305	159	178	22	64		

<sup>†</sup>All springs have additional travel to solid equal to 50% of Rated Deflection.

\*10.0 indicates a rating of 10 G's or greater