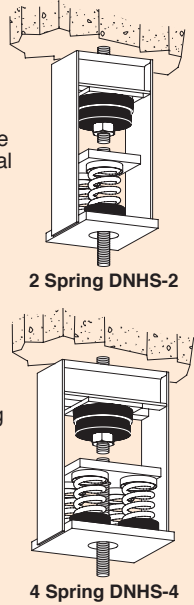
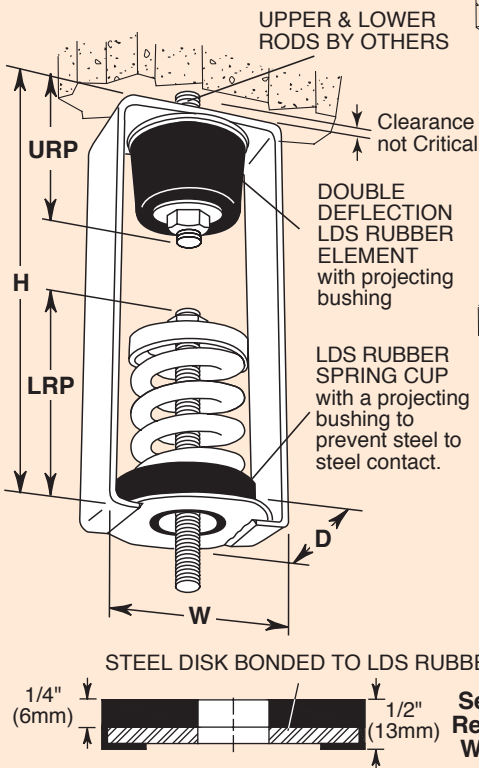


1"(25mm) DEFLECTION X, A & B SPRING and DOUBLE DEFLECTION LDS HANGERS

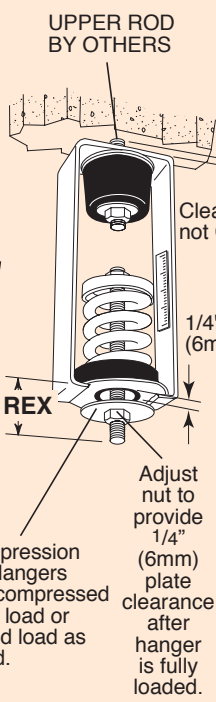
DNHS

FOR ROD ATTACHMENT



PCDNHS

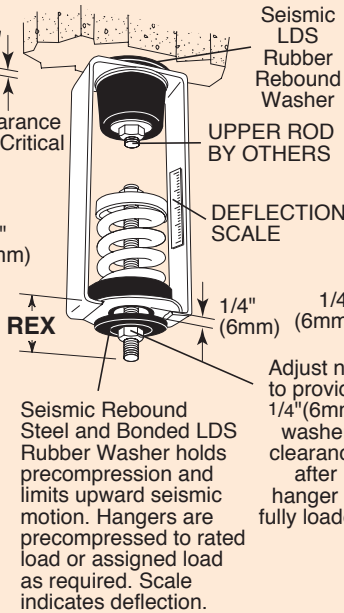
TYPE DNHS PRECOMPRESSED



PCDNHSS

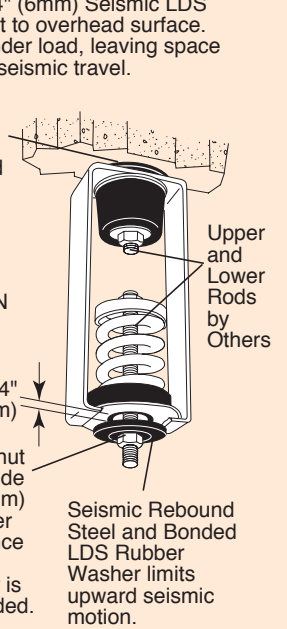
TYPE DNHS PRECOMPRESSED & SEISMIC RESTRAINT

Install with hanger box snug to 1/4" (6mm) Seismic LDS Rubber Washer, so washer is tight to overhead surface. Upper hanger element deflects under load, leaving space on top. Washer cushions upward seismic travel.



RWDNHS

TYPE DNHS SEISMIC RESTRAINT



Ratings & Dimensions for 1"(25mm) Deflection Spring and Double Deflection LDS Hangers (inches mm)

Type	Size	Rated Capacity (lbs) (kg)	Rated Defl.† (in) (mm)	Spring Constant†† (lbs/in)(kg/mm)	Average Defl. LDS Rubber	Spring Color/Stripe	Spring Only		LRP— Lower Rod Penetration MRD— Max. Rod Diameter				REX— Rod Extension URP— Upper Rod Penetration			Vertical G Ratings Com-Tension pression		
							Free OD	Height	D	H	W	LRP	MRD	REX	URP			
1" 25mm Defl.	X-12	12 5	1.45 37	10 0.18		Orange											10.0*	10.0*
	X-23	23 10	1.50 38	18 0.30		Brown											10.0*	10.0*
	X-33	33 15	1.30 33	30 0.54		Red											10.0*	10.0*
	X-54	54 24	1.40 36	45 0.80		White											10.0*	10.0*
	X-76	76 34	1.22 31	73 1.36	0.20	Black	11/2 21/2	21/2 51/2	27/8 31/4	3/8 13/4	13/4 13/4						10.0*	10.0*
	X-113	113 51	1.20 30	113 2.04	5	Yellow	25 64	64 140	73 83	10 44	44						10.0*	6.7
	X-130	130 59	1.20 30	130 2.36		Purple											10.0*	5.8
	X-175	175 79	1.20 30	175 3.16		Silver											10.0*	4.3
X-210	210 95	1.20 30	210 3.80		Blue											10.0*	3.6	
DNHS-	A-12	12 5	1.35 34	12 0.20	0.35	Red	13/4 17/8	23/4 63/4	31/4 31/2	5/8 21/4	21/4 21/4						10.0*	10.0*
	A-18	18 8	1.35 34	18 0.32	9	Gray	44 48	70 171	83 89	16 57	57 57						10.0*	10.0*
	A-25	25 11	1.35 34	25 0.44		Orange											10.0*	10.0*
	A-41	41 19	1.53 39	35 0.63		Pink											10.0*	10.0*
PCDNHS-	A-56	56 25	1.49 38	49 0.83	0.35	Black	13/4 21/4	23/4 63/4	31/4 4	5/8 21/4	21/4 21/4						10.0*	10.0*
	A-73	73 33	1.41 36	69 1.22	9	Tan	44 57	70 171	83 102	16 57	57 57						10.0*	10.0*
	A-95	95 43	1.36 35	94 1.65		Green											10.0*	10.0*
	A-45	45 20	1.95 50	28 0.49		Blue											10.0*	10.0*
PCDNHSS-	A-75	75 34	1.85 47	50 0.89		Orange											10.0*	10.0*
	A-125	125 57	1.68 43	94 1.68	0.35	Brown	13/4 3	23/4 63/4	31/4 4	5/8 21/2	21/4 21/4						10.0*	10.0*
	A-200	200 91	1.50 38	174 3.14	9	Black	44 76	70 171	83 102	16 64	64 57						10.0*	8.8
	A-310	310 141	1.35 34	310 5.64		Yellow											10.0*	5.6
PCDNHSS-	A-400	400 181	1.35 34	400 7.24		Green											10.0*	4.4
	A-510	510 231	1.35 34	510 9.24	0.35	Red	13/4 31/8	23/4 63/4	31/4 4	5/8 21/2	21/4 21/4						10.0*	3.4
RWDNHS-	A-625	625 283	1.35 34	625 11.3	0.35	White	13/4 33/8	23/4 63/4	31/4 4	5/8 21/2	21/4 21/4						10.0*	2.8
	B-65	65 29	2.45 62	31 0.55		Brown											10.0*	10.0*
RWDNHS-	B-85	85 39	2.45 62	40 0.74		White/Blk											10.0*	10.0*
	B-115	115 52	2.35 60	57 1.02		Silver											10.0*	10.0*
	B-150	150 68	2.35 60	75 1.33	0.35	Orange	23/8 4	4 9	43/4 41/4	3/4 21/4	3 3						10.0*	10.0*
	B-280	280 127	1.95 50	174 3.10	9	Green	60 102	102 229	121 108	19 57	76 76						10.0*	8.2
	B-450	450 204	1.66 42	344 6.18		Red											10.0*	5.1
	B-750	750 340	1.47 37	670 12.1		White											10.0*	3.1
	B-1000	1000 454	1.35 34	1000 18.2	0.35	Blue	23/8 4	4 9	43/4 41/4	3/4 21/4	3 3						10.0*	2.3

All springs have additional travel to solid equal to 50% of Rated Deflection. LDS elements have straight line deflection curves.

†includes double deflection LDS element. ††applies to spring only. *10.0 indicates a rating of 10 G's or greater

1"(25mm) DEFLECTION C & MULTIPLE C SPRING and DOUBLE DEFLECTION LDS HANGERS

Ratings & Dimensions for 1" (25mm) Deflection Spring and Double Deflection LDS Hangers (inches mm)

Type	Size	Rated Capacity		Rated Defl. [†] (in) (mm)	Spring Constant ^{††}		Average Defl. LDS Rubber	Spring Color	Spring Only Free OD Height		LRP- Lower Rod Penetration MRD- Max. Rod Diameter				REX- Rod Extension URP- Upper Rod Extension				Vertical G Ratings	
		(lbs)	(kg)		(lbs/in)	(kg/mm)			OD	Height	D	H	W	LRP	MRD	REX	URP	Tension	Compression	
1" 25mm Defl.	1-1000	1000	454	1.40	36	1000	18.2	Black											10.0 ⁺	7.3
	1-1350	1350	612	1.40	36	1350	24.5	Yellow											10.0 ⁺	5.4
	1-1750	1750	794	1.40	36	1750	31.8	Black*											10.0 ⁺	4.2
	1-2100	2100	953	1.40	36	2100	38.1	Yellow*	27/8	41/8	4	11	51/4	5	7/8	21/4	31/4		8.4	3.5
	1-2385	2385	1082	1.40	36	2385	43.3	Yellow**	73	105	102	279	133	127	22	57	83		7.4	3.1
	1-2650	2650	1202	1.40	36	2650	48.1	Red*											6.6	2.8
DNHS-	1-2935	2935	1331	1.40	36	2935	53.2	Red**											6.0	2.5
PCDNHS-	2-2700	2700	1225	1.40	36	2700	49.0	Yellow	27/8	41/8	9	12	51/4	7	1	41/4	33/4		10.0 ⁺	4.5
	2-3500	3500	1588	1.40	36	3500	63.5	Black*	73	105	229	305	133	178	25	108	95		10.0 ⁺	3.5
	2-4200	4200	1905	1.40	36	4200	76.2	Yellow*											10.0 ⁺	2.9
PCDNHS-	4-5400	5400	2449	1.40	36	5400	98.0	Yellow	27/8	41/8	7	15	87/8	7	11/4	41/2	6		10.0 ⁺	5.0
	4-7000	7000	3175	1.40	36	7000	127.0	Black*	73	105	178	381	225	178	32	114	152		8.4	3.9
	4-8400	8400	3810	1.40	36	8400	152.4	Yellow*											7.0	3.2
RWDNHS-	4-9540	9540	4327	1.40	36	9540	173.1	Yellow**	27/8	41/8	7	15	87/8	7	11/4	41/2	6		6.2	2.8
	4-10600	10600	4808	1.40	36	10600	192.3	Red*	73	105	178	381	225	178	32	114	152		5.5	2.6
	4-11740	11740	5325	1.40	36	11740	213.0	Red**											5.0	2.3

All springs have additional travel to solid equal to 50% of Rated Deflection. LDS elements have straight line deflection curves.

*with Red inner spring **with Green inner spring †includes double deflection LDS element. ††applies to spring only.

+10.0 indicates a rating of 10 G's or greater

2"(51mm) DEFLECTION B, B2, C2 & MULTIPLE C2 SPRING and DOUBLE DEFLECTION LDS HANGERS

Ratings & Dimensions for 2" (51mm) Deflection Spring and Double Deflection LDS Hangers (inches mm)

Type	Size	Rated Capacity		Rated Defl. [†] (in) (mm)	Spring Constant ^{††}		Average Defl. LDS Rubber	Spring Color/Stripe	Spring Only Free OD Height		LRP- Lower Rod Penetration MRD- Max. Rod Diameter				REX- Rod Extension URP- Upper Rod Extension				Vertical G Ratings		
		(lbs)	(kg)		(lbs/in)	(kg/mm)			OD	Height	D	H	W	LRP	MRD	REX	URP	Tension	Compression		
2" 51mm Defl.	B-20	20	9	2.75	70	8	0.15	Tan											10.0 ⁺	10.0 ⁺	
	B-26	26	12	2.53	64	12	0.22	White/Bl											10.0 ⁺	10.0 ⁺	
	B-35	35	16	2.55	65	16	0.29	Purple											10.0 ⁺	10.0 ⁺	
	B-50	50	23	2.55	65	24	0.41	White/Rd	23/8	4	4	9	43/4	51/8	3/4	21/4	3		10.0 ⁺	10.0 ⁺	
	B-65	65	29	2.45	62	31	0.55	9	Brown	60	102	102	229	121	130	19	57	76		10.0 ⁺	10.0 ⁺
	B-85	85	39	2.45	62	40	0.74		White/Blk											10.0 ⁺	10.0 ⁺
	B-115	115	52	2.35	60	57	1.02		Silver											10.0 ⁺	10.0 ⁺
DNHS-	B-150	150	68	2.35	60	75	1.33	Orange											10.0 ⁺	10.0 ⁺	
	B2-210	210	95	2.47	63	99	1.76	Silver											10.0 ⁺	10.0 ⁺	
	B2-290	290	132	2.35	60	144	2.59	Blue	23/8	41/2	4	9	43/4	51/8	3/4	21/4	3		10.0 ⁺	8.0	
	B2-450 [†]	450	204	2.35	60	224	4.00	9	Tan	60	114	102	229	121	130	19	57	76		10.0 ⁺	5.1
	B2-680 [†]	680	308	2.35	60	340	6.04		Gray											10.0 ⁺	3.4
PCDNHS-	C2-125	125	57	2.90	74	50	0.89	Purple											10.0 ⁺	10.0 ⁺	
	C2-170	170	77	2.80	71	70	1.26	Brown											10.0 ⁺	10.0 ⁺	
	C2-210	210	95	2.70	69	90	1.64	Red											10.0 ⁺	10.0 ⁺	
	C2-260	260	118	2.60	66	120	2.11	White											10.0 ⁺	10.0 ⁺	
	C2-330	330	150	2.40	61	165	2.94	0.40	Black	27/8	5	4	11	51/4	51/4	7/8	21/4	31/4		10.0 ⁺	10.0 ⁺
	C2-460	460	209	2.40	61	230	4.10	10	Blue	73	127	102	279	133	133	22	57	83		10.0 ⁺	10.0 ⁺
	C2-610	610	277	2.40	61	305	5.43		Green											10.0 ⁺	10.0 ⁺
PCDNHS-	C2-880 [†]	880	399	2.40	61	440	7.82	Gray												10.0 ⁺	8.3
	C2-1210 [†]	1210	549	2.40	61	605	10.8	Silver												10.0 ⁺	6.0
	C2-1540 [†]	1540	699	2.40	61	770	13.7	Gray*												10.0 ⁺	4.7
	C2-1870 [†]	1870	848	2.40	61	935	16.6	Silver*												9.4	3.9
	C2-2420 [†]	2420	1098	2.40	61	1210	21.5	0.40	Silver*	27/8	5	9	12	51/4	6	1	41/4	33/4		10.0 ⁺	5.1
RWDNHS-	2-C2-3080 [†]	3080	1397	2.40	61	1540	27.4	10	Gray*	73	127	229	305	133	154	25	108	95		10.0 ⁺	4.0
	2-C2-3740 [†]	3740	1696	2.40	61	1870	33.3		Silver*											10.0 ⁺	3.3
	4-C2-3520 [†]	3520	1597	2.40	61	1760	31.3	0.40	Gray	27/8	5	7	15	87/8	8	11/4	41/2	6		10.0 ⁺	7.7
	4-C2-4840 [†]	4840	2195	2.40	61	2480	43.0	10	Silver*	73	127	178	381	225	203	32	114	152		10.0 ⁺	5.6
	4-C2-6160 [†]	6160	2794	2.40	61	3080	54.8		Gray*											9.5	4.4
4-C2-7480 [†]	7480	3393	2.40	61	3740	66.5		Silver*											7.8	3.6	

All springs without "†" have additional travel to solid equal to 50% of Rated Deflection. LDS elements have straight line deflection curves.

*with Red inner spring +10.0 indicates a rating of 10 G's or greater

†includes double deflection LDS element. ††applies to spring only.

†Published ratings allow minimum 25% additional travel to solid. For a full 50% specified minimum use the following ratings:

Size	Derated Capacity (lbs) (kg)	Defl. (in) (mm)	Size	Derated Capacity (lbs) (kg)	Defl. (in) (mm)	Size	Derated Capacity (lbs) (kg)	Defl. (in) (mm)
B2-450	410 186	1.83 46	C2-1870	1560 708	1.67 42	2-C2-3740	3120 1415	1.67 42
B2-680	565 256	1.66 42	2-C2-1760	1600 726	1.82 46	4-C2-4840	4040 1833	1.67 42
C2-880	800 363	1.82 46	2-C2-2420	2020 916	1.67 42	4-C2-6160	5145 2334	1.67 42
C2-1210	1010 458	1.67 42	2-C2-3080	2570 1166	1.67 42	4-C2-7480	6245 2833	1.67 42
C2-1540	1285 583	1.67 42						