



# MASON INDUSTRIES, Inc.

Manufacturers of Vibration Control Products

350 Rabro Drive 2101 W. Crescent Ave., Suite D  
 Hauppauge, NY 11788 Anaheim, CA 92801  
 631/348-0282 714/535-2727  
 FAX 631/348-0279 FAX 714/535-5738  
 Info@Mason-Ind.com • www.Mason-Ind.com

**ELASTOMERIC  
 ACOUSTICAL  
 FLOOR  
 MOUNTINGS for  
 FLOATING FLOORS  
 and OTHER SUITABLE  
 APPLICATIONS**

# EAFM

EAFM-114-3 BULLETIN

In 1976 the acoustical community asked us to develop a floating floor mounting that would last as long as the building and provide response frequencies lower than two inch (50mm) thick fiberglass.

We were pleased to find that Neoprene molded in exact accordance with DuPont formulations had addressed the life expectancy requirement as bridge supports. Outdoor applications are far more severe than within a building because of the temperature extremes, sunlight, rain, snow and ice.

We continued with Neoprene until 2006 when we developed Natural Rubber Compounds with the same life expectancy but much lower dynamic stiffness. These compounds are referred to as LDS. Frequencies in 2 inch (50mm) thickness are now 7 – 8 Hz compared to fiberglass @ 15 Hz. It is hard to understand why fiberglass is still acceptable. Please refer to Bulletin ACS-102-3, page 6 for a complete discussion.

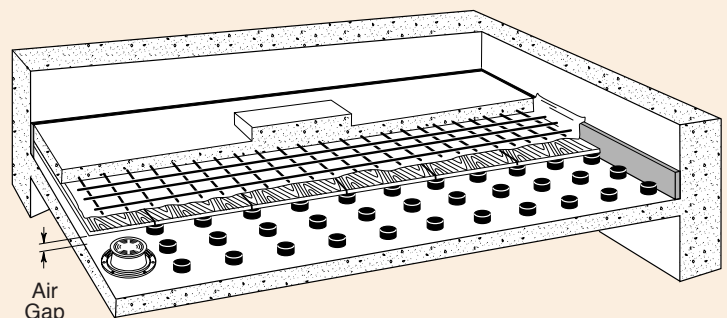
In bridge and overpass work there is a need for very high loadings with pressures as high as 2000 lbs/square inch. If strain is limited to 10 to 15 percent of the pad thickness, both creep and permanent set are very acceptable.

Since we started by supporting floating floor areas of 1 square foot (0.1 square meters), our initial problem was to design a stable rubber column that would deflect 0.2 to 0.3 inches (5mm to 8mm) under minor loadings. A mounting thickness of 2 inches (50mm) at 10 to 15% deflection (strain) met the deflection criteria. A 2 inch (50mm) diameter reduced the shape factor (SF= Loaded Area/Perimeter Area) to achieve the low capacities of the EAFM-8823 on page 3.

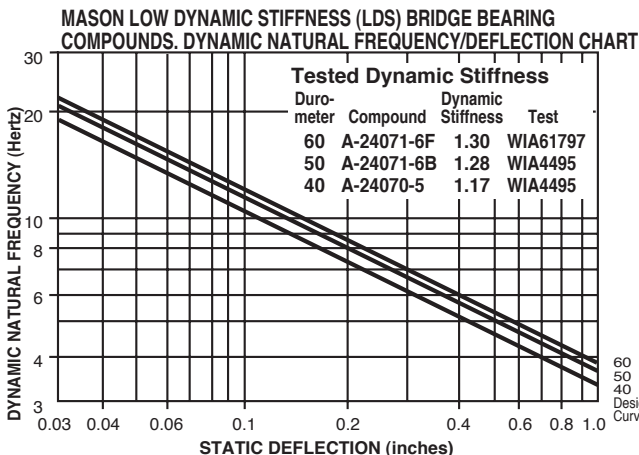
All of the other sizes were gradually designed and tooled to raise or lower both capacities and frequencies.

In response to the wishes and specifications of Acousticians and Architects we almost always manufacture these products in Bridge Bearing Natural Rubber and tool for other sizes and thicknesses. We still supply Neoprene but only on special order.

This arsenal of available sizes encouraged other applications. Standard designs and variations are used as drop hammer shock absorbers, subway and railroad isolators as required. We design and fabricate to virtually all requirements, including squares and rectangles with bonded embedded plates to increase shape factors and capacities, in our own factory.



**Typical EAFM Floating Floor**

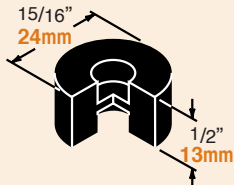


**AASHTO BRIDGE BEARING SPECIFICATIONS FOR POLYISOPRENE**

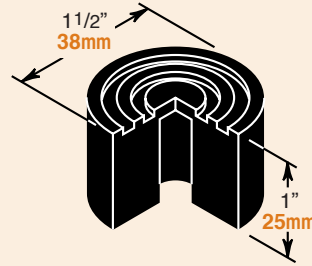
ORIGINAL PHYSICAL PROPERTIES	TESTED FOR AGING			COMPRES- SION SET	LONG TERM CREEP
	OVEN AGING(70hrs/158°F)	OZONE	ASTM D-1149		
Tests: ASTM D-2240 & D-412	ASTM D-573			ASTM D-395	ISO8013
Duro- meter	Tensile Strength	Elongat. at Break	Hard- ness	25 pphm in air by Vol. 20% Strain 100°F	168hrs
Shore A	(min)	(min)	(max)		
40±5*	2000 psi	500%	+10% -25%	No Cracks	25%(max) 5%(max)
50±5	2250 psi	450%	+10% -25%	No Cracks	25%(max) 5%(max)
60±5	2250 psi	400%	+10% -25%	No Cracks	25%(max) 5%(max)
70±5	2250 psi	300%	+10% -25%	No Cracks	25%(max) 5%(max)

\*AASHTO does not spec 40 Duro. 40 Duro by Mason.

**1/2" – 1" 13 – 25mm Height**



**EAFM 16114**

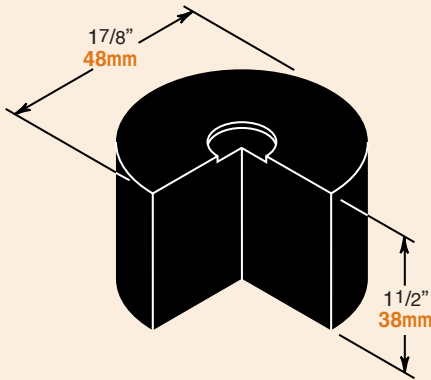


**EAFM 6534**

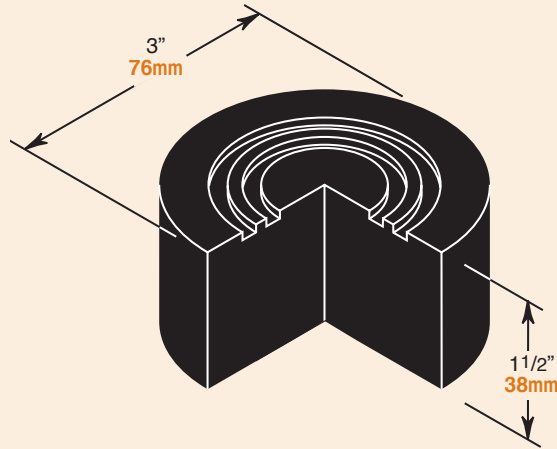
EAFM Designation & Color	Durometer ±5	0.025" 0.6mm Deflection		0.050" 1.3mm Deflection		0.075" 1.9mm Deflection		Temporary Overload* 3X Maximum Loading					
		lbs.	kgs.	Hz	lbs.	kgs.	Hz		lbs.	kgs.			
16114	Green	40	17	8	21.4	33	15	15.1	50	23	12.4	150	68
	Red	50	25	11	22.4	50	23	17.8	75	34	12.9	225	102
	White	60	37	17	22.5	73	33	16.0	110	50	13.0	330	150
		0.05" 1.3mm Deflection		0.1" 2.5mm Deflection		0.15" 3.8mm Deflection							
		lbs.	kgs.	Hz	lbs.	kgs.	Hz	lbs.	kgs.	Hz			
6534	Black	30	17	8	14.7	33	15	10.4	50	23	8.5	150	68
	Green	40	30	14	15.1	60	27	10.7	90	41	8.7	270	122
	Red	50	47	21	15.8	93	42	11.2	140	64	9.1	420	191
	White	60	70	32	16.0	140	64	11.3	210	95	9.2	630	286

\*Temporary overload is often mentioned in specifications. We have tested mountings compressed to 50% of their initial thickness. After release there was no permanent set or damage.

**1 1/2" 38mm Height**



**EAFM 8852**

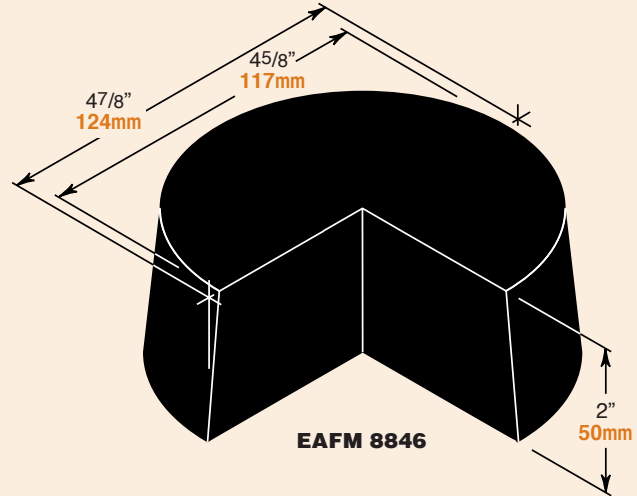
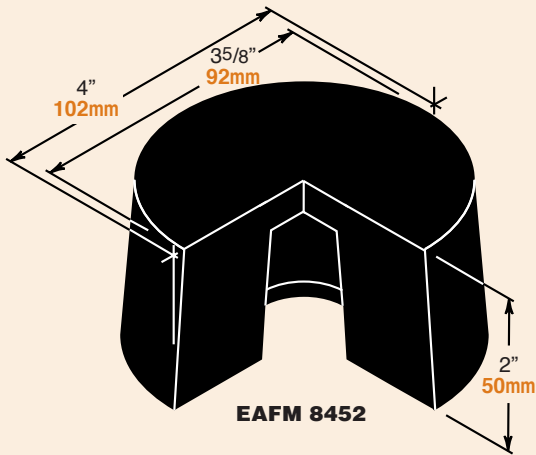
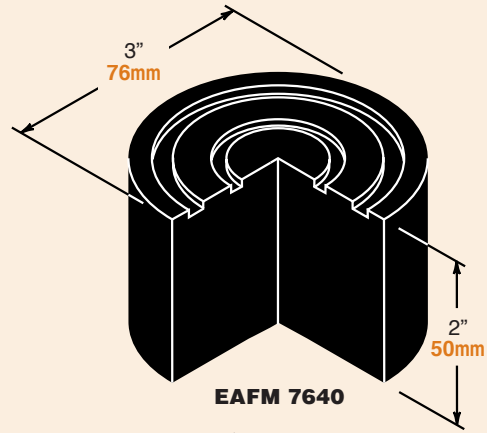
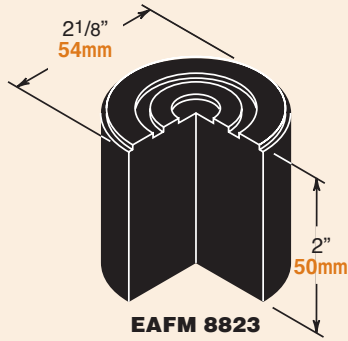


**EAFM 7432**

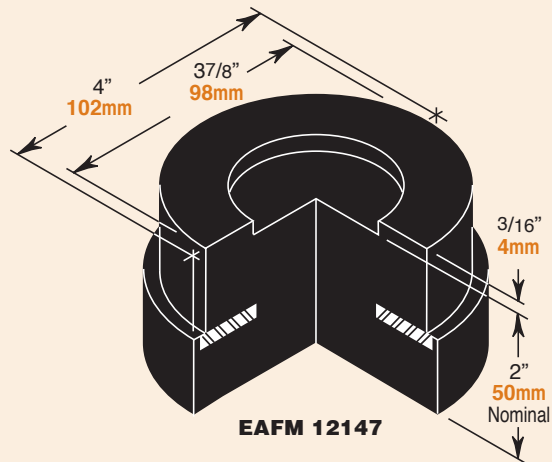
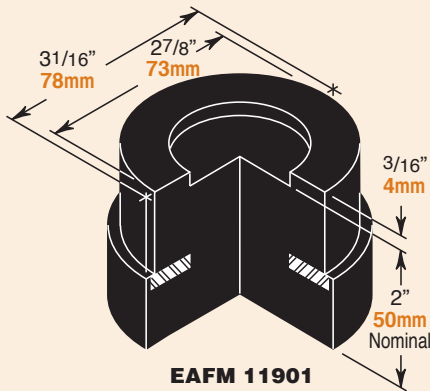
EAFM Designation & Color	Durometer ±5	0.075" 1.9mm Deflection		0.150" 3.8mm Deflection		0.225" 5.7mm Deflection		Temporary Overload* 3X Maximum Loading					
		lbs.	kgs.	Hz	lbs.	kgs.	Hz		lbs.	kgs.			
8852	Green	40	50	23	12.4	100	45	8.7	150	68	7.1	450	205
	Red	50	73	33	12.9	145	66	9.1	220	100	7.5	660	300
	White	60	113	51	13.0	225	102	9.2	340	155	7.6	1020	465
7432	Green	40	93	42	12.4	185	84	8.7	280	127	7.1	840	380
	Red	50	139	63	12.9	277	126	9.1	420	191	7.5	1260	570
	White	60	208	95	13.0	416	189	9.2	630	286	7.6	1890	860

\*Temporary overload is often mentioned in specifications. We have tested mountings compressed to 50% of their initial thickness. After release there was no permanent set or damage.

**2" 50mm Height**



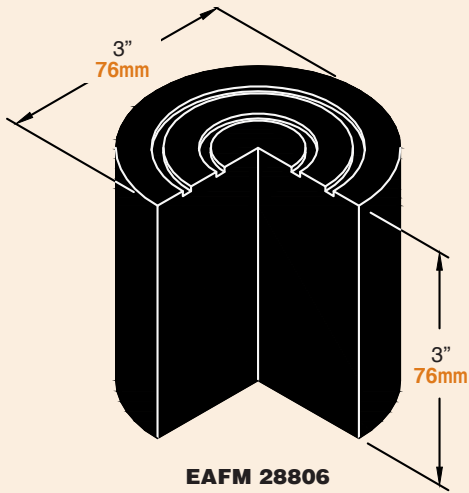
**2" 50mm Nominal Height**



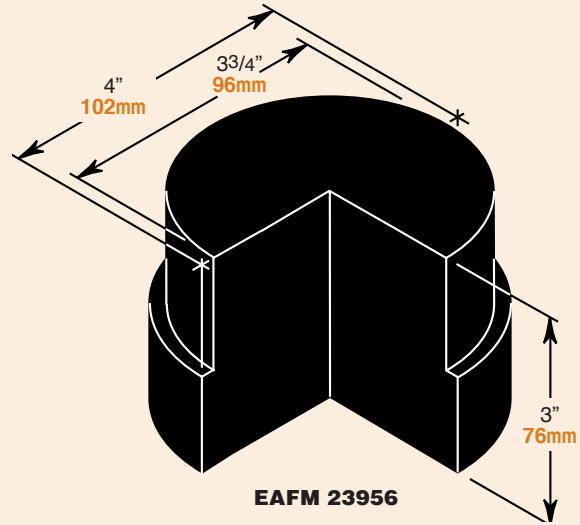
EAFM Designation & Color	Durometer ±5	0.1" 2.5mm Deflection			0.2" 5.1mm Deflection			0.3" 7.6mm Deflection			Temporary Overload* 3X Maximum Loading	
		Loading lbs.	kgs.	Frequency Hz	Loading lbs.	kgs.	Frequency Hz	Loading lbs.	kgs.	Frequency Hz		
8823	Green 40	48	22	10.7	97	44	7.6	145	66	6.2	435	197
	Red 50	80	36	11.2	160	73	7.9	240	109	6.4	720	327
	White 60	120	54	11.3	240	109	8.0	360	163	6.5	1080	490
7640	Green 40	140	64	10.7	280	127	7.6	420	191	6.2	1260	572
	Red 50	200	92	11.2	400	181	7.9	600	272	6.4	1800	816
	White 60	300	136	11.3	600	273	8.0	900	409	6.5	2700	1225
8452	Green 40	167	76	10.7	333	151	7.6	500	227	6.2	1500	681
	Red 50	256	116	11.2	513	233	7.9	770	350	6.4	2310	1050
	White 60	400	182	11.3	800	364	8.0	1200	545	6.5	3600	1636
8846	Red 50	600	273	11.2	1200	545	7.9	1800	818	6.4	5400	2454
	White 60	900	409	11.3	1800	817	8.0	2700	1227	6.5	8100	3681
11901	Red 50	368	167	11.2	735	333	7.9	1100	499	6.4	3300	1497
	White 60	520	236	11.3	1040	472	8.0	1550	703	6.5	4650	2109
12147	Red 50	667	303	11.2	1335	606	7.9	2000	907	6.4	6000	2722
	White 60	1075	488	11.3	2150	975	8.0	3200	1451	6.5	9600	4354

\*Temporary overload is often mentioned in specifications. We have tested mountings compressed to 50% of their initial thickness. After release there was no permanent set or damage.

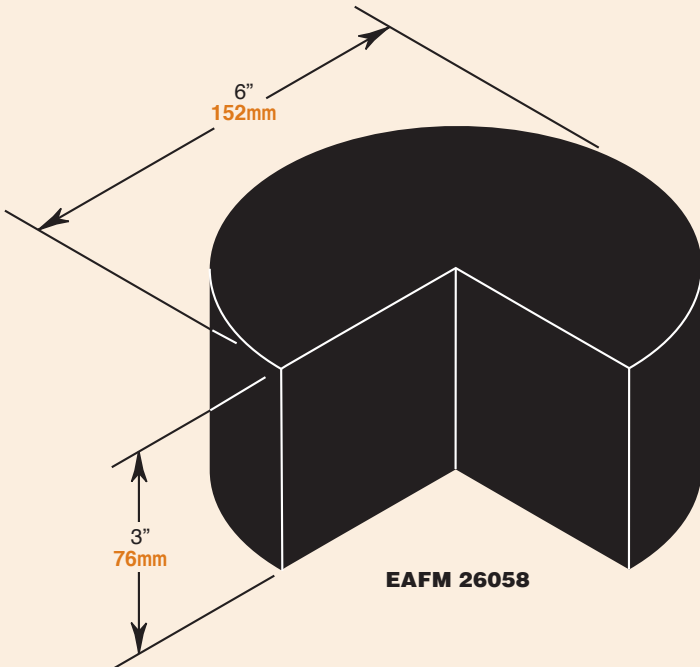
**3" 76mm Height**



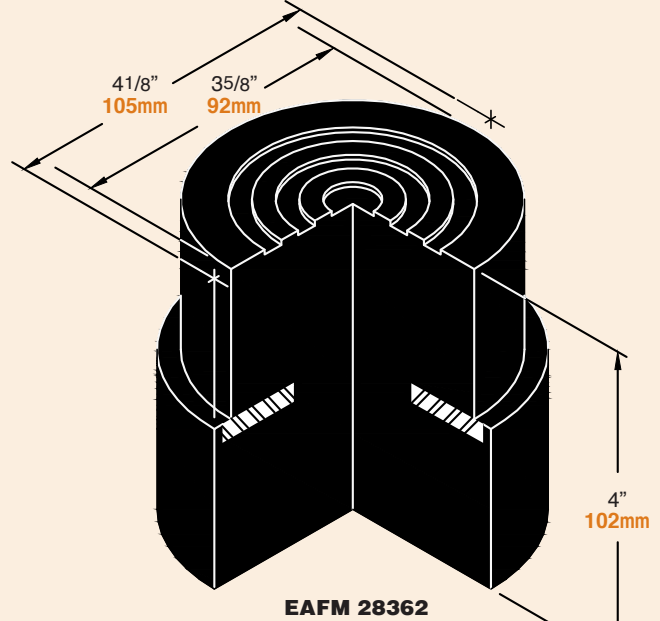
**3" 76mm Height**



**3" 76mm Height**



**4" 100mm Height**



**NOTE:** 28362WOW (without washer) used in light applications @ 40% of tabulated loadings at same deflection.

EAFM Designation & Color	Durometer ±5	0.15" 3.8mm Deflection			0.3" 7.6mm Deflection			0.45" 11.4mm Deflection			Temporary Overload* 3X Maximum Loading	
		Loading lbs.	kgs.	Frequency Hz	Loading lbs.	kgs.	Frequency Hz	Loading lbs.	kgs.	Frequency Hz		
28806	Green 40	75	34	8.7	150	68	6.2	225	102	5.0	675	306
	Red 50	125	56	9.1	250	113	6.4	375	170	5.2	1125	510
	White 60	200	90	9.2	400	181	6.5	600	272	5.3	1800	816
23956	Green 40	230	105	8.7	460	210	6.2	700	320	5.0	2100	960
	Red 50	365	166	9.1	730	332	6.4	1100	500	5.2	3300	1500
	White 60	500	227	9.2	1000	454	6.5	1500	680	5.3	4500	2040
26058	Green 40	270	125	8.7	540	250	6.2	810	375	5.0	2430	1125
	Red 50	750	340	9.1	1500	680	6.4	2250	1020	5.2	6750	3060
	White 60	950	430	9.2	1900	860	6.5	2850	1290	5.3	8560	3870
		0.20" 5.1mm Deflection			0.40" 10.2mm Deflection			0.60" 15.2mm Deflection				
		Loading lbs.	kgs.	Frequency Hz	Loading lbs.	kgs.	Frequency Hz	Loading lbs.	kgs.	Frequency Hz	lbs.	kgs.
28362	Green 40	160	73	7.0	435	197	5.0	660	299	4.2	1880	853
	Red 50	370	168	8.0	725	329	5.5	1100	499	4.6	3300	1497
	White 60	450	204	8.5	1200	544	6.0	1830	830	5.0	5498	2492

\*Temporary overload is often mentioned in specifications. We have tested mountings compressed to 50% of their initial thickness. After release there was no permanent set or damage.



# MASON INDUSTRIES, Inc.

Manufacturers of Vibration Control Products

350 Rabro Drive      2101 W. Crescent Ave., Suite D  
 Hauppauge, NY 11788      Anaheim, CA 92801  
 631/348-0282      714/535-2727  
 FAX 631/348-0279      FAX 714/535-5738  
 Info@Mason-Ind.com • www.Mason-Ind.com

**ELASTOMERIC  
 ACOUSTICAL  
 FLOOR  
 MOUNTINGS for SOUND  
 & VIBRATION CONTROL**

# EAFM MISC SIZES

EMIR-115

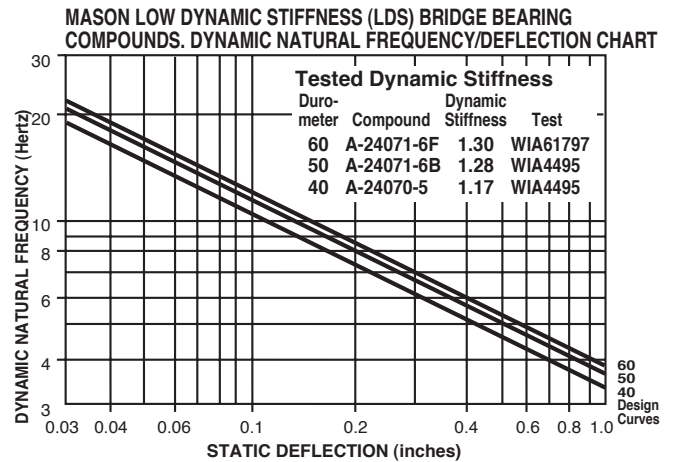
The definition of a rubber isolation mounting is any configuration, round, square or rectangular with a known capacity and deflection. Acoustical solutions are in the 6 – 8 Hz frequency range. However, these very same low stress isolators can be stacked with steel shim plates between to achieve lower frequencies for vibration isolation.

This grouping is typical of special purpose product. We add new designs in response to market requirements.

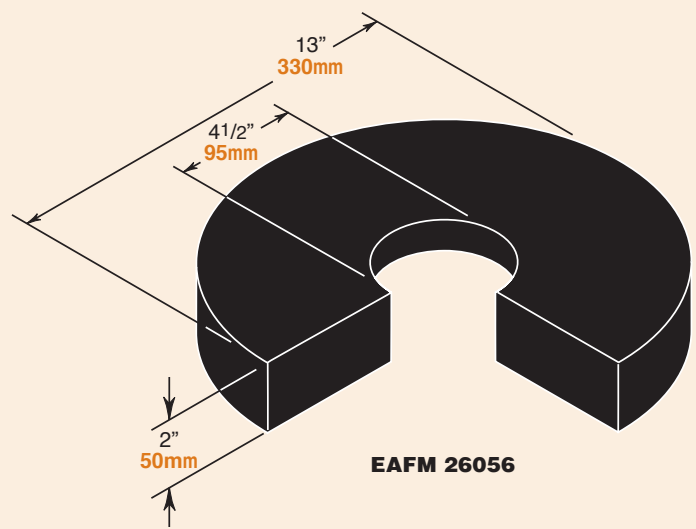
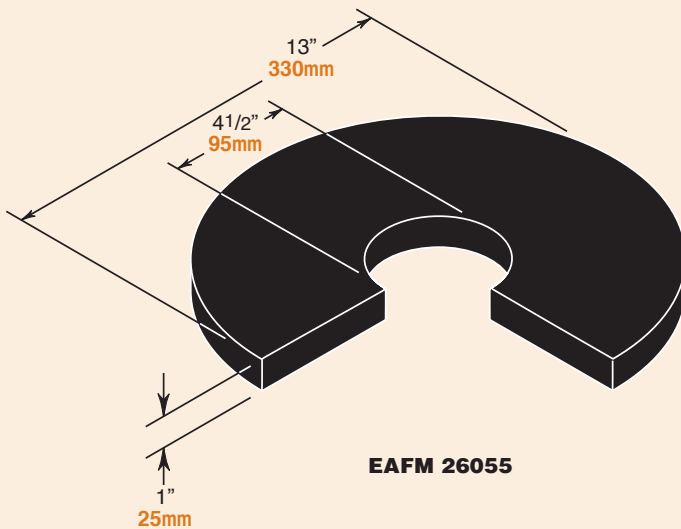
### AASHTO BRIDGE BEARING SPECIFICATIONS FOR POLYISOPRENE

ORIGINAL PHYSICAL PROPERTIES			TESTED FOR AGING			COMPRES- SION SET	LONG TERM CREEP
Duro- meter	Tensile Strength	Elongat. at Break	OVEN AGING(70hrs/158°F)	OZONE	ASTM D-1149		
Tests: ASTM D-2240 & D-412			ASTM D-573	ASTM D-1149	25 pphm in air by Vol. 20% Strain 100°F	ASTM D-395 22hrs/158°F Method B	ISO8013
40±5*	2000 psi	500%	+10%	-25%	-25%	No Cracks	25%(max)
50±5	2250 psi	450%	+10%	-25%	-25%	No Cracks	25%(max)
60±5	2250 psi	400%	+10%	-25%	-25%	No Cracks	25%(max)
70±5	2250 psi	300%	+10%	-25%	-25%	No Cracks	25%(max)
							5%(max)

\*AASHTO does not spec 40 Duro. 40 Duro by Mason.



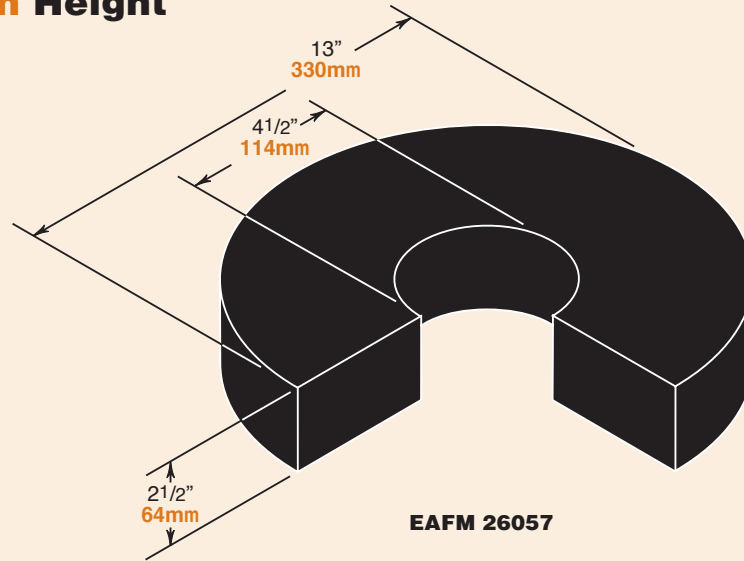
## 1" – 2" 25 – 50mm Height



EAFM Designation & Color	Durometer ±5	0.05" 1.3mm Deflection			0.1" 2.5mm Deflection			0.15" 3.8mm Deflection			Temporary Overload* 3X Maximum Loading	
		Loading lbs.	Frequency kgs. Hz	Hz	Loading lbs.	Frequency kgs. Hz	Hz	Loading lbs.	Frequency kgs. Hz	Hz		
26055	Green	13160	5969	15.1	26325	11941	10.7	39490	17912	8.7	118470	53737
	Red	19085	8658	15.8	38170	17314	11.2	57255	25970	9.1	171765	77911
	White	24085	10925	16.0	48175	21852	11.3	72260	32777	9.2	216780	98829
		0.1" 2.5mm Deflection			0.2" 5.0mm Deflection			0.3" 7.5mm Deflection				
		Loading lbs.	Frequency kgs. Hz	Hz	Loading lbs.	Frequency kgs. Hz	Hz	Loading lbs.	Frequency kgs. Hz	Hz	lbs.	kgs.
26056	Green	5560	2522	10.7	11115	5042	7.6	16680	7566	6.2	50040	22698
	Red	8055	3654	11.2	16115	7310	7.9	24170	10963	6.4	72510	32890
	White	10170	4613	11.3	20340	9226	8.0	30510	13839	6.5	91530	41517

\*Temporary overload is often mentioned in specifications. We have tested mountings compressed to 50% of their initial thickness. After release there was no permanent set or damage.

**2 1/2" 65mm Height**

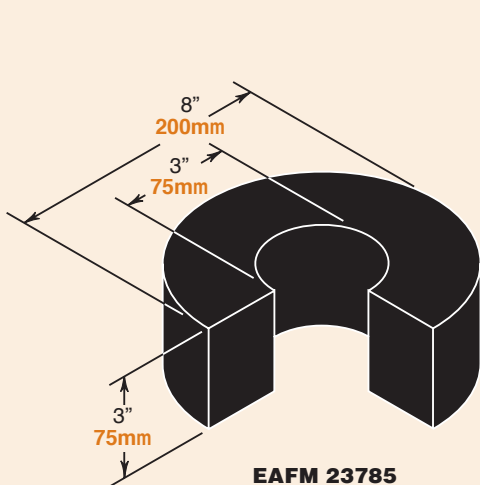


**EAFM 26057**

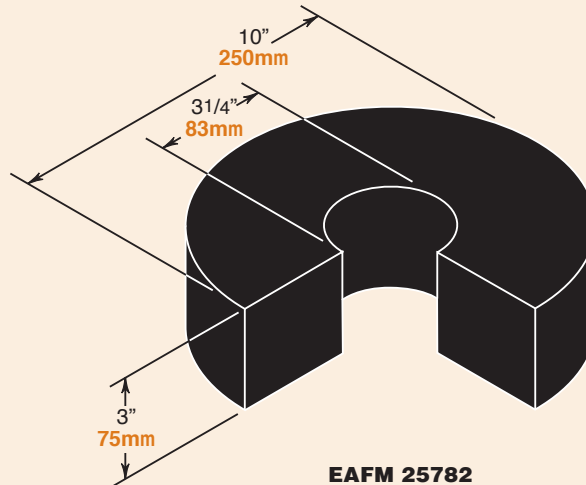
EAFM Designation & Color	Durometer ±5	0.125" 3mm Deflection			0.25" 6mm Deflection			0.375" 10mm Deflection			Temporary Overload* 3X Maximum Loading		
		Loading lbs.	kg.	Frequency Hz	Loading lbs.	kg.	Frequency Hz	Loading lbs.	kg.	Frequency Hz	lbs.	kg.	
26057	Green	40	3780	1720	9.6	7560	3440	6.8	11340	5160	5.5	34020	15480
	Red	50	4750	2160	10.0	9500	4320	7.0	14250	6480	5.7	42750	19440
	White	60	6000	2727	10.1	12000	5454	7.1	18000	8181	5.8	54000	29545

\*Temporary overload is often mentioned in specifications. We have tested mountings compressed to 50% of their initial thickness. After release there was no permanent set or damage.

**3" 75mm Height**



**EAFM 23785**



**EAFM 25782**

EAFM Designation & Color	Durometer ±5	0.15" 3.8mm Deflection			0.30" 7.6mm Deflection			0.45" 11.4mm Deflection			Temporary Overload* 3X Maximum Loading		
		Loading lbs.	kg.	Frequency Hz	Loading lbs.	kg.	Frequency Hz	Loading lbs.	kg.	Frequency Hz	lbs.	kg.	
23785	Green	40	1100	500	8.7	2200	1000	6.6	3300	1500	5.0	9900	4500
	Red	50	1600	725	9.1	3200	1450	6.4	4800	2175	5.2	14400	6525
	White	60	2000	910	9.2	4000	1820	6.5	6000	2730	5.3	18000	8190
25782	Green	40	2000	910	8.7	4000	1820	6.6	6000	2730	5.0	18000	8190
	Red	50	2900	1320	9.1	5800	2640	6.4	8700	3960	5.2	26100	11880
	White	60	3660	1660	9.2	7320	3320	6.5	10980	4980	5.3	32940	14940

\*Temporary overload is often mentioned in specifications. We have tested mountings compressed to 50% of their initial thickness. After release there was no permanent set or damage.