



# MASON INDUSTRIES, Inc.

Manufacturers of Vibration Control Products

350 Rabro Drive  
Hauppauge, NY 11788  
631/348-0282  
FAX 631/348-0279

2101 W. Crescent Ave., Suite D  
Anaheim, CA 92801  
714/535-2727  
FAX 714/535-5738

Info@Mason-Ind.com • www.Mason-Ind.com

## BOLT ISOLATION WASHER BUSHINGS

## HANGER MOUNT ISOLATED BUSHING

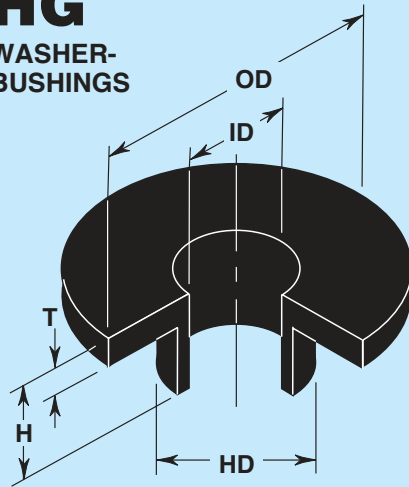
# HG

# HMIB

DATA SHEET DS-405-4A

## HG

### WASHER- BUSHINGS

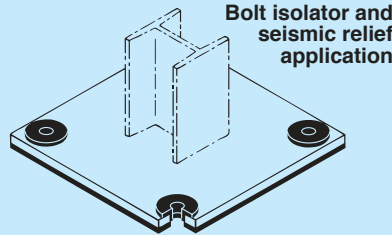


**Material:**  
Bridge-Bearing  
Neoprene

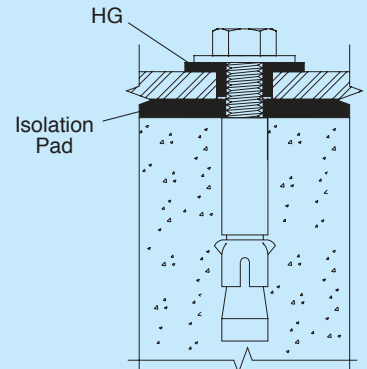
### BRIDGE-BEARING NEOPRENE SPECIFICATIONS

ORIGINAL PHYSICAL PROPERTIES			TESTED FOR AGING			(d) OZONE 1 ppm in air by Vol.20% Strain 100°F(38°C)	COMPRESSION SET (e) 22hrs 150°F(66°C) Method B	
(a) Duro-meter	(b) Tensile Strength (min)	(b) Elongat. at Break (min)	(c) OVEN AGING(70h/212°F)	Hard-ness at Break (max)	Tensile Strength at Break (max)			Elongat. at Break (max)
40±5	2000 psi	140 kg/cm <sup>2</sup>	450%	+15%	±15%	-40%	No Cracks	30%(max)
50±5	2500 psi	176 kg/cm <sup>2</sup>	400%	+15%	±15%	-40%	No Cracks	25%(max)
60±5	2500 psi	176 kg/cm <sup>2</sup>	350%	+15%	±15%	-40%	No Cracks	25%(max)

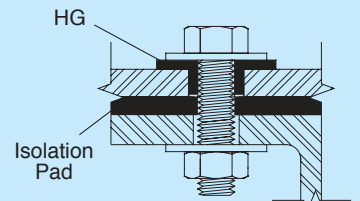
(a)ASTM D-676  
(b)ASTM D-412  
(c)ASTM D-573  
(d)ASTM D-1149  
(e)ASTM D-395



HG Washer Bushings may be used without isolation pads to limit bolt shear from impact.



Steel to Concrete Detail



Steel to Steel Detail

### TYPE HG DIMENSIONS

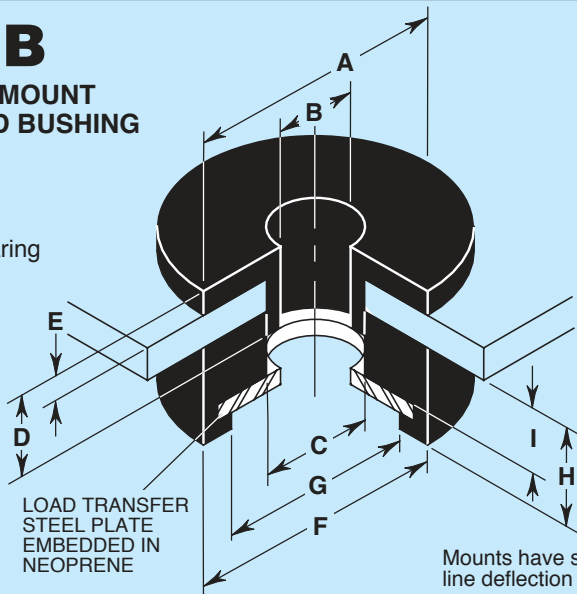
Size	Bolt Dia.* (in) (mm)	Allowable Shear Load in a Steel to Steel Connection		Allowable Tension Load in a Steel to Steel Connection		ID (in) (mm)	HD (in) (mm)	OD (in) (mm)	T (in) (mm)	H (in) (mm)
		(lbs) (kgs)	(kgs)	(lbs) (kgs)	(kgs)					
HG-25	1/4 6	490	2.2	980	4.4	1/4 6	1/2 13	1 25	1/8 3	3/8 10
HG-38	3/8 10	1100	4.9	2200	9.8	3/8 10	5/8 16	1 1/4 32	1/8 3	1/2 13
HG-50	1/2 13	1960	8.7	3920	17.4	1/2 13	3/4 19	1 5/8 41	1/8 3	1/2 13
HG-63	5/8 16	3070	13.6	6140	27.2	5/8 16	7/8 22	2 51	3/16 5	5/8 16
HG-75	3/4 19	4420	19.7	8840	39.4	3/4 19	1 25	2 1/4 57	3/16 5	5/8 16
HG-100	1 25	7850	34.9	15700	69.8	1 25	1 1/4 32	2 3/4 70	1/4 6	7/8 22
HG-125	1 1/4 32	12270	54.6	24540	109.2	1 1/4 32	1 1/2 38	3 1/4 83	1/4 6	7/8 22
HG-150	1 1/2 38	17670	78.6	35340	157.2	1 1/2 38	1 3/4 45	3 3/4 95	1/4 6	1 25

\* Retention strength based on diameter of anchor bolt and anchoring method.

## HMIB

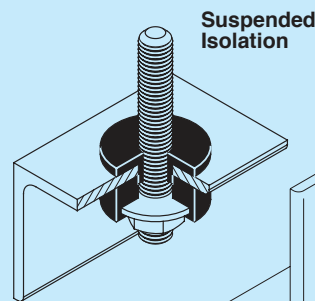
### HANGER MOUNT ISOLATED BUSHING

**Material:**  
Bridge-Bearing  
Neoprene

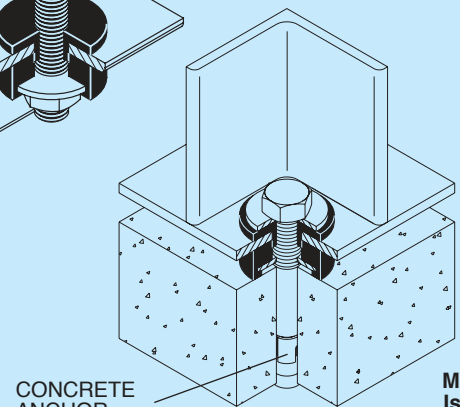


LOAD TRANSFER  
STEEL PLATE  
EMBEDDED IN  
NEOPRENE

Mounts have straight  
line deflection curves.



Suspended  
Isolation



CONCRETE  
ANCHOR

Used for  
Suspended or  
Floor Mounted  
Equipment

Floor  
Mounted  
Isolation

### TYPE HMIB DIMENSIONS (inches mm)

Size	A	B	C	D	E	F	G	H	I	Rated Load (lbs) (kgs)	Rated Defl (in) (mm)
HMIB-1/4	1 25	1/4 6	1/2 13	3/8 10	1/8 3	1 1/2 38	1 25	1/2 13	3/8 10	60 27	.075 1.9
HMIB-3/8	1 1/4 32	3/8 10	5/8 16	1/2 13	1/8 3	1 3/4 45	1 1/4 32	5/8 16	1/2 13	70 32	.095 2.4
HMIB-1/2	1 5/8 41	1/2 13	3/4 19	1/2 13	1/8 3	1 3/4 45	1 1/4 32	5/8 16	1/2 13	100 45	.095 2.4
HMIB-5/8	2 51	5/8 16	7/8 22	5/8 16	3/16 5	2 51	1 1/2 38	3/4 19	1/2 13	120 54	.110 2.8