



MASON INDUSTRIES, Inc.
Manufacturers of Vibration Control Products

350 Rabro Drive 2101 W. Crescent Ave., Suite D
Hauppauge, NY 11788 Anaheim, CA 92801
631/348-0282 714/535-2727
FAX 631/348-0279 FAX 714/535-5738
Info@Mason-Ind.com • www.Mason-Ind.com

**RESTRAINED
SINGLE AND MULTIPLE
SPRING MOUNTS**

TYPE

SLR

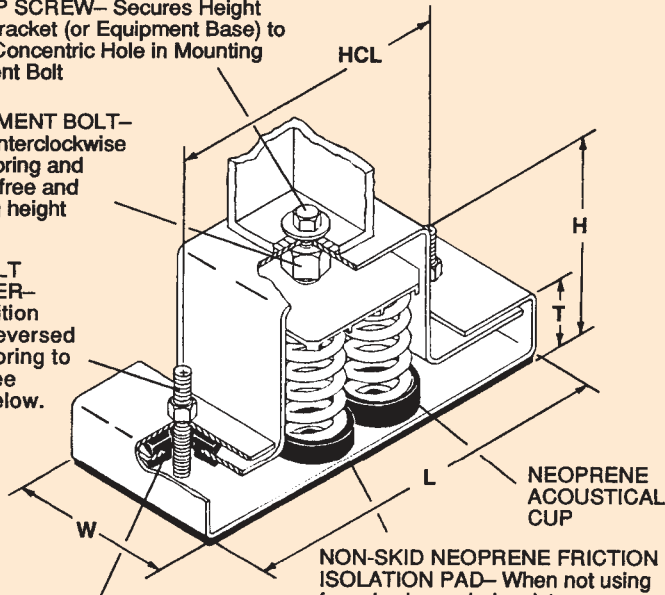
SLR-220 BULLETIN

**1" Deflection A SPRING SERIES
SLR SINGLE and MULTIPLE SPRING FORMED RESTRAINED MOUNTS**

"CS" CAP SCREW— Secures Height Saving Bracket (or Equipment Base) to Tapped Concentric Hole in Mounting Adjustment Bolt

ADJUSTMENT BOLT— Turn counterclockwise to load spring and maintain free and operating height

"BD" BOLT DIAMETER— Bolt Position can be reversed for anchoring to floor. See Detail Below.



NEOPRENE VERTICAL LIMIT STOPS— Out of contact during normal operation

NON-SKID NEOPRENE FRICTION ISOLATION PAD— When not using for seismic or wind resistance, bolting to floor is not necessary. Pad can be removed if mounts are welded in position. See Detail Below.

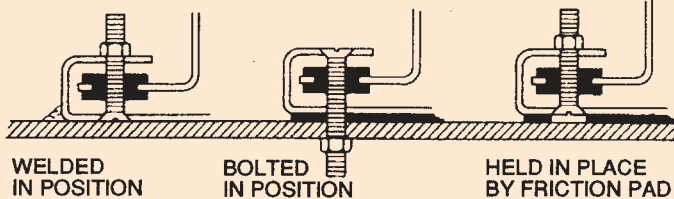
Illustration shows a 4 spring SLR-4A. SLR-A has 1 spring and SLR-2 has 2 springs.

Mounts are galvanized.

TYPE SLR DIMENSIONS (inches)

Size	H	L	T	W	BD	CS	HCL
SLR-A	5 1/8	8 3/4	1 5/8	2 1/2	3/8	3/8x1	6
SLR-2A	5 1/8	11 5/8	1 3/4	2 1/2	3/8	3/8x1	8 3/4
SLR-4A	5 1/8	11 1/8	1 3/4	4 1/2	1/2	1/2x1 1/4	8

OPTIONAL MOUNT INSTALLATIONS



SPRING DATA

Spring OD	Free HT.	Ratio Kx/Ky	Ratio OD/OH
1 3/4	3-3 3/8	0.50-0.90	0.74-1.25

TYPE SLR RATINGS

Size	Rated Capacity (lbs)	Rated Defl (in)	Mount Constant (lbs/in)	Spring Color	Seismic G Rating	MEFA (ft²)
SLR-A-45†	45	1.60	28	Blue	17.8	27
SLR-A-75†	75	1.50	50	Orange	10.7	27
SLR-A-125†	125	1.33	94	Brown	6.4	27
SLR-A-200†	200	1.15	174	Black	4.0	27
SLR-A-310†	310	1.00	310	Yellow	2.6	27
SLR-A-400†	400	1.00	400	Green	2.0	27
SLR-A-510†	510	1.00	510	Red	1.6	27
SLR-A-625†	625	1.00	625	White	1.3	27
SLR-2A-620†	620	1.00	620	Yellow	1.6	33
SLR-2A-800†	800	1.00	800	Green	1.3	33
SLR-2A-1020†	1020	1.00	1020	Red	1.0	33
SLR-2A-1250†	1250	1.00	1250	White	0.8	33
SLR-4A-1240†	1240	1.00	1240	Yellow	1.6	67
SLR-4A-1600†	1600	1.00	1600	Green	1.3	67
SLR-4A-2040†	2040	1.00	2040	Red	1.0	67
SLR-4A-2500†	2500	1.00	2500	White	0.8	67

†SLR-A, -2A & -4A have Calif. OSHPD Anchorage Preapproval Number R-0195.

All springs have additional travel to solid equal to 50% of the rated deflection.

Solid Spring Height = Free Height minus 1.5 times Rated Deflection.

Housing load ratings (expressed in max. G's and square feet of face area) are based on tests with bolted connections to steel top and bottom. SLR housings require uniform support under entire base plate. Tests were run with one bolt in top plate.

MEFA - Maximum Allowable Equipment Face Area per Mount (ft²) To determine safety of an installation in a 100 mph wind (30 psf) divide the largest face area by the total number of mountings. Installation is safe if AREA No. of MOUNTS ≤ MEFA.

Example: Tower Face = 6' x 10' = 60 Square Feet. Weight = 4,000 lbs Use: 4- SLR-2A-1020 MEFA = 33; Area/No. of Mounts = 60/4 = 15 < 33 Installation is safe in shear.

When towers are tall and narrow, overturning moments should be checked as well.