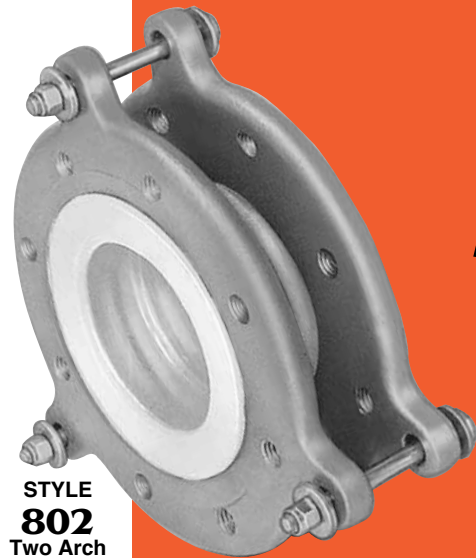


# MERCER

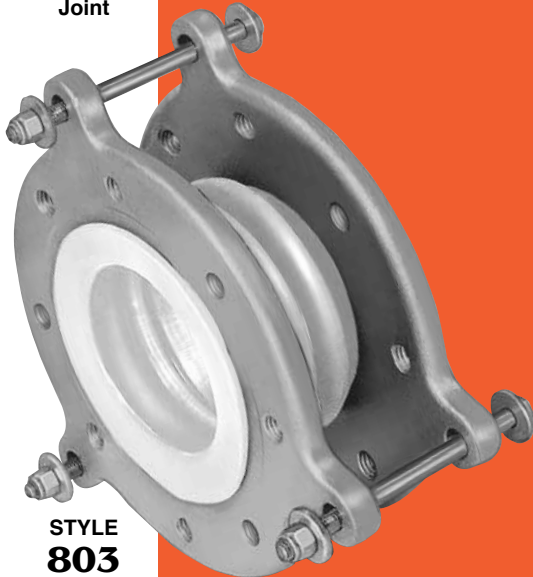


# 800

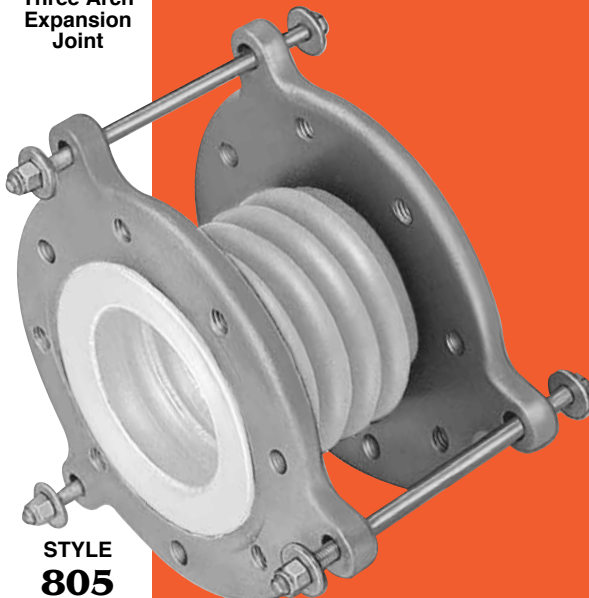
## Teflon® Expansion Joints



STYLE  
**802**  
Two Arch  
Expansion  
Joint



STYLE  
**803**  
Three Arch  
Expansion  
Joint



STYLE  
**805**  
Five Arch  
Expansion  
Joint

**MERCER Series 800 PTFE Teflon® Expansion Joints are the Sure and Economical Way to Solve Difficult Expansion and Misalignment**

The Teflon® material is corrosive-proof, chemically inert and does not age. Flexibility and flex cycle life is equally exceptional.

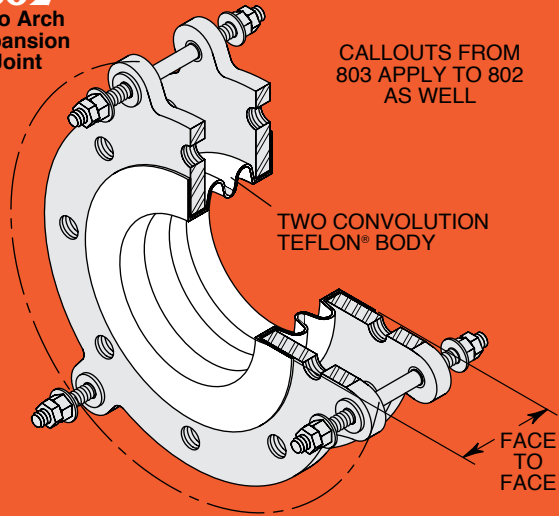
The Teflon® body is formed over the full sealing face of the flanges eliminating the need for separate gaskets. The fluid or gas never contacts the floating flanges.

The Type 800 is manufactured in 2, 3 and 5 arch variations designated 802, 803 and 805. Flexibility and allowable movements increase with the number of arches. Teflon® is ideally suited to the following problems:

- Handling Nitric or Sulfuric acid in mining or plating operations.
- Providing low spring rates and high flexibility to protect fragile FRP, PVC or glass pipe from damage caused by expansion, contraction or ambient vibration.
- Accommodating expansion and contraction in high temperature (to 350°F, 177°C) caustic green, white and black liquor lines in pulp mills.
- Preventing pipe line vibration from damaging glass linings in acid and caustic soda pumps.
- Providing flexibility to prevent flange leaks caused by the minor explosions in lines from Chlorine generators in bleaching plants of paper mills.
- Providing non-contaminating, sterilizable, flexible connectors for the food processing, medical, and chip manufacturing industries.

The standard assembly utilizes high strength carbon steel flanges complete with three restraining bolts. The Teflon® is reinforced externally with stainless steel rings between arches. They are also available with stainless steel flanges and stainless steel hardware. There is a MERCER Series 800 Teflon® Expansion Joint to suit your needs.

**STYLE 802**  
Two Arch Expansion Joint



**STYLE 800 SERIES MAXIMUM PRESSURE RATINGS**

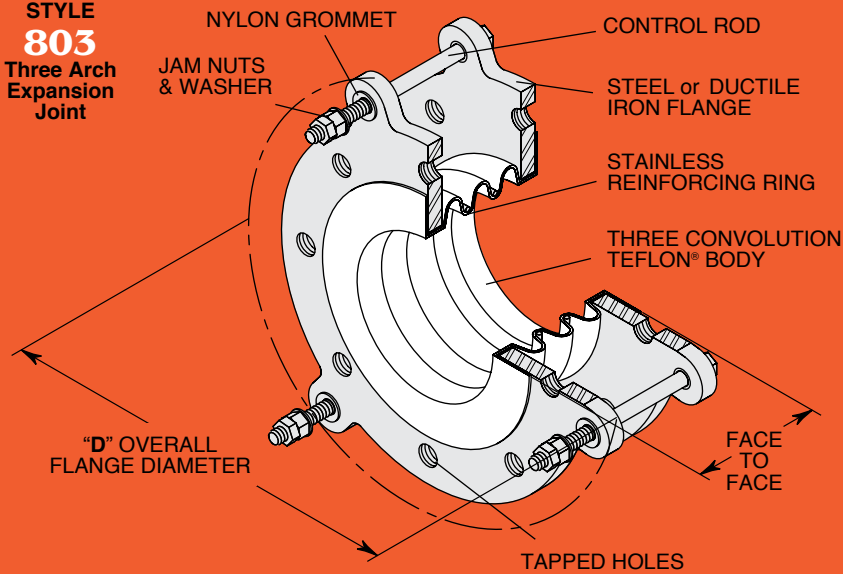
Pipe Size in mm	Maximum Pressure Ratings (psig kg/cm <sup>2</sup> ) at							
	50°F 10°C		100°F 38°C		150°F 66°C		200°F 93°C	
	802	803	802	803	802	803	802	803
1 25	180 12.7	150 10.5	135 9.5	100 7.0	100 7.0	75 5.3	90 6.3	70 4.9
1½ 40	180 12.7	150 10.5	135 9.5	100 7.0	100 7.0	75 5.3	90 6.3	70 4.9
2 50	180 12.7	150 10.5	135 9.5	100 7.0	100 7.0	75 5.3	90 6.3	70 4.9
2½ 65	180 12.7	150 10.5	135 9.5	100 7.0	100 7.0	75 5.3	90 6.3	70 4.9
3 80	180 12.7	150 10.5	135 9.5	100 7.0	100 7.0	75 5.3	90 6.3	60 4.2
4 100	150 10.5	150 10.5	125 8.8	100 7.0	100 7.0	75 5.3	85 6.0	70 4.9
5 125	150 10.5	150 10.5	125 8.8	85 6.0	85 6.0	65 4.6	80 5.6	65 4.6
6 150	150 10.5	150 10.5	120 8.4	80 5.6	75 5.3	55 3.9	75 5.3	60 4.2
8 200	150 10.5	150 10.5	115 8.1	75 5.3	70 4.9	45 3.2	65 4.6	50 3.5
10 250	150 10.5	150 10.5	115 8.1	75 5.3	70 4.9	50 3.5	60 4.2	40 2.8
12 300	150 10.5	150 10.5	110 7.7	75 5.3	60 4.2	40 2.8	50 3.5	30 2.1

All joints are full vacuum rated up to 200°F (93°C)

**STYLE 802 DIMENSIONS and ALLOWABLE MOVEMENTS**

Size in mm	Flange Dia. D		Style 802		
	in	mm	Face to Face in mm	Axial ± in mm	Max Misalignment in mm
1 25	6	152	1¾ 35	¼ 6	⅛ 3
1½ 40	6¾	172	1¾ 35	¼ 6	⅛ 3
2 50	8½	206	1¾ 41	¼ 6	⅛ 3
2½ 65	9¾	238	2¼ 57	⅜ 9	⅛ 3
3 80	10	254	2¼ 57	⅜ 9	¼ 6
4 100	11½	286	2½ 67	½ 13	¼ 6
5 125	13	330	3¼ 83	½ 13	¼ 6
6 150	14	356	3¾ 95	½ 13	¼ 6
8 200	16¼	413	4 102	½ 13	¼ 6
10 250	19	483	5¼ 133	½ 13	¼ 6
12 300	22½	572	6 152	½ 13	¼ 6

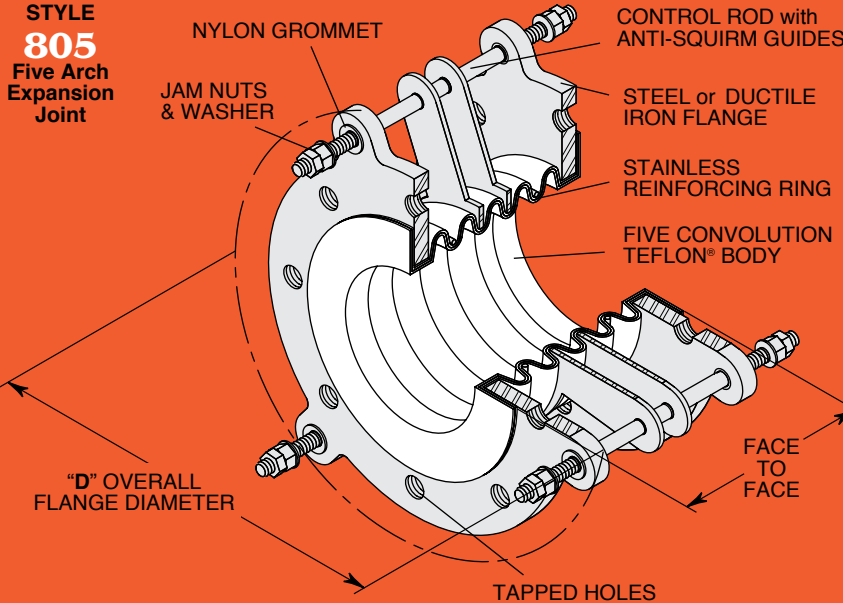
**STYLE 803**  
Three Arch Expansion Joint



**STYLE 803 DIMENSIONS and ALLOWABLE MOVEMENTS**

Size in mm	Flange Dia. D		Style 803		
	in	mm	Face to Face in mm	Axial ± in mm	Max Misalignment in mm
1 25	6	152	1¾ 44	½ 13	¼ 6
1½ 40	6¾	172	2 51	½ 13	¼ 6
2 50	8½	206	2¾ 70	½ 13	⅜ 9
2½ 65	9¾	238	3¼ 83	¾ 19	⅜ 9
3 80	10	254	3½ 92	¾ 19	½ 13
4 100	11½	286	3½ 92	1 25	½ 13
5 125	13	330	4 102	1 25	½ 13
6 150	14	356	4 102	1 25	⅝ 16
8 200	16¼	413	6 152	1½ 29	⅝ 16
10 250	19	483	7 178	1½ 29	⅝ 16
12 300	22½	572	7¾ 200	1½ 29	⅝ 16

**STYLE 805**  
Five Arch Expansion Joint



**STYLE 805 DIMENSIONS and ALLOWABLE MOVEMENTS**

Size in mm	Flange Dia. D		Style 805		
	in	mm	Face to Face in mm	Axial ± in mm	Max Misalignment in mm
1 25	6	152	3 76	¾ 19	½ 13
1½ 40	6¾	172	3½ 89	¾ 19	½ 13
2 50	8½	206	4 102	1 25	½ 13
2½ 65	9¾	238	4 102	1 25	½ 13
3 80	10	254	5 127	1 25	½ 13
4 100	11½	286	5¼ 133	1¼ 32	⅝ 16
5 125	13	330	6 152	1¼ 32	⅝ 16
6 150	14	356	6 152	1¼ 32	⅝ 16
8 200	16¼	413	8 203	1¾ 44	⅝ 16
10 250	19	483	8 203	1¾ 44	¾ 19
12 300	22½	572	9 229	2 51	¾ 19



**MERCER RUBBER Co.**

350 Rabro Drive • Hauppauge, NY 11788 • Tel 631-582-1524 • FAX 631-348-0279

Email Info@Mercer-Rubber.com • Website www.Mercer-Rubber.com

# MERCER

# INVINCIBLE

## Teflon® Lined Expansion Joints Series 700 & HT700



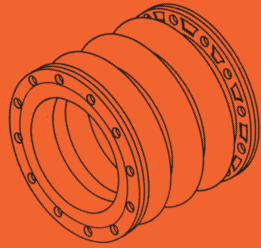
### Construction Features

- Choice of eight cover elastomers.
- Sizes up to 96 inch diameter.
- Baked Enamel, Ductile Iron, Carbon or Stainless Steel Split Backup Rings
- Corrosion resistant, chemically inert and nonaging Teflon® liner
- Control rods to restrict excessive elongation or compression.
- High temperature resistant fabric reinforcement for operating temperatures up to 400°F.

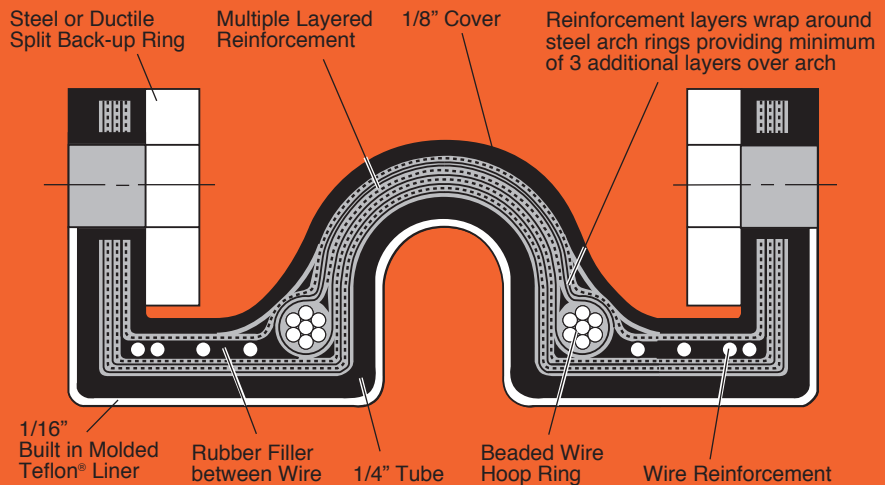
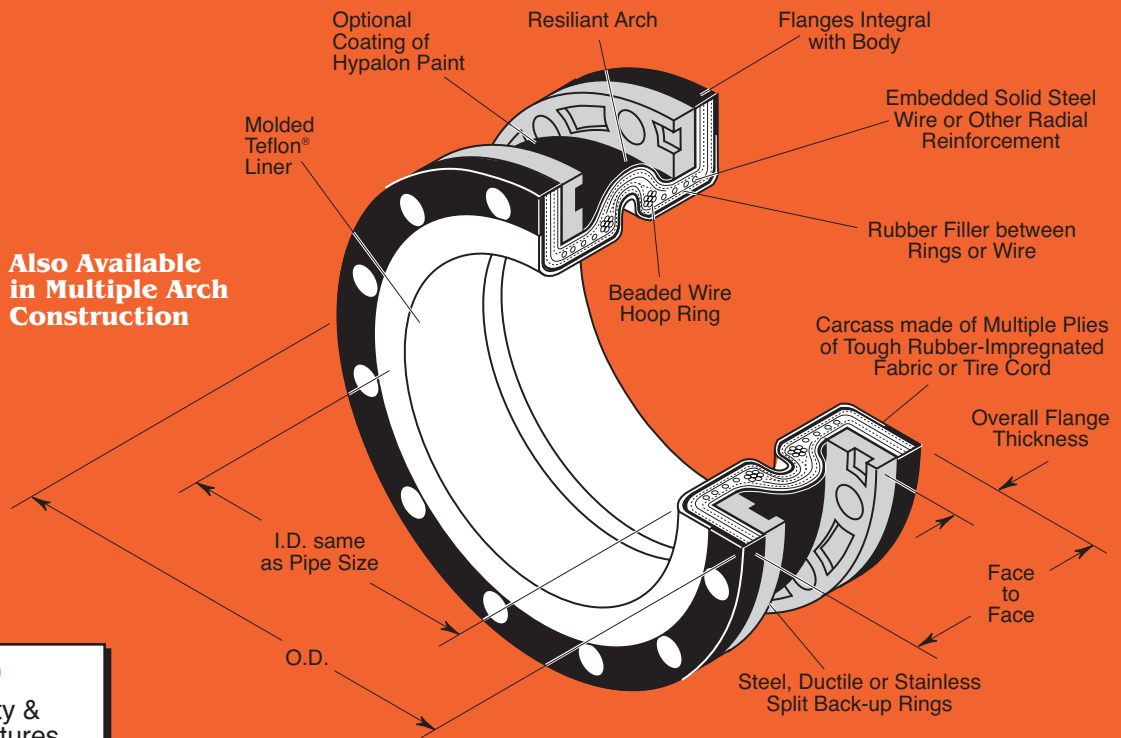
### Performance Features

- Working pressures up to 165 psi at temperatures up to 400°F in standard models. Higher pressure ratings available.
- Minimum 4 to 1 safety factor, rated to burst pressure.
- Teflon® liner is etched and permanently bonded to expansion joint body and flange faces.
- Components are pressure cured resulting in structurally sound, long service life.
- Optional exterior coat of Hypalon paint provides additional protection against ozone weathering and chemical exposure.
- Handbuilt to your exact specifications.

# Series 700 & HT700



**Also Available in Multiple Arch Construction**



Series 700		
Material Availability & Operating Temperatures		
Style 700	STANDARD MATERIAL Cover	Max Oper. Temp.
B	Butyl	250°F
E	EPDM	250°F
E	EPDM	300°F
H	Hypalon	225°F
N	Neoprene	225°F
Ni	Nitrile	225°F
R	Natural	180°F
V	Viton	250°F

Series HT700		
Material Availability & Operating Temperatures (Sizes 1 thru 12 only)		
Style HT700	HIGH TEMPERATURE MATERIAL Cover	Max Oper. Temp.
K-E	EPDM	350°F
K-V	Viton	400°F

## Series 700

Mercer Invincible Series 700 Teflon® lined expansion joints combine the advantages of Teflon®:

- Anti-stick properties
- Superior Strength
- Excellent chemical resistance
- Non-aging

with the advantages of Mercer's elastomeric expansion joints:

- Isolate mechanical vibration
- Long life expectancy
- Absorb pressure surges
- Eliminate electrolysis
- Small space requirements
- Allow fourway movements (Axial, lateral, torsional, angular), eliminating problems of pipes buckling or pulling apart.

The result is an expansion joint that offers unmatched protection against highly corrosive fluids and extreme temperatures.

The Series 700 features either a TFE\* or FED\*\* seamless liner that extends through the body of the expansion joint to the outer edge of raised flange faces. The liner is fused to the body when the joint is cured. This type of construction provides ultimate protection against chemicals seeping or leaking. An optional coat of Hypalon paint is recommended to protect the exterior against weather, ozone and chemicals.

The INVINCIBLE 700 is specifically designed for the severe service conditions found in:

- Power generating plants
- Wastewater treatment and pollution control systems
- Chemical plants
- Petrochemical and process piping systems
- Pulp and paper mills
- Where expansion joints must be able to withstand high temperatures and corrosive materials on a daily basis.

The performance of the INVINCIBLE 700 in these applications is unequalled by plastic, metallic or other elastomeric expansion joints.

## Series HT700

Invincible Series HT700 combines all the construction and performance advantages of the 700 with high temperature resistance. Reinforced with high temperature resistant fabric, and with the cover of either EPDM or Viton, the HT700 can provide full pressure service at operating temperatures up to 350°F and 400°F respectively.

\*Teflon® is a trademark of E.I.DuPont Nemours & Co. \*\*FED - Fluorinated Ethylene Propylene Copolymer

## Style 700 & HT700 Open Arch Dimensions, Allowable Movements\* & Pressures†

Pipe Size (in)	Flange OD (in)	Face to Face (in)	Overall Flange Thickness (in)		Dia Bolt Circle (in)	No. of Bolts	Dia of Bolts (in)	Axial Compression (in)	Axial Extension (in)	Lateral Deflection (in)	Degrees Angular (degrees)	Degrees Torsional (degrees)	Rated Working Pressure† (psig)	Minimum Burst Pressure† (psig)	Vacuum (in Hg)
			Steel	Ductile											
1	4 1/4	6	7/8	1	3 1/8	4	1/2	11/16	3/8	1/2	20.0	3	165	660	30
1 1/4	4 5/8	6	7/8	1	3 1/2	4	1/2	11/16	3/8	1/2	19.0	3	165	660	30
1 1/2	5	6	7/8	1	3 7/8	4	1/2	11/16	3/8	1/2	18.5	3	165	660	30
2	6	6	7/8	1	4 3/4	4	5/8	11/16	3/8	1/2	14.5	3	165	660	30
2 1/2	7	6	7/8	1	5 1/2	4	5/8	11/16	3/8	1/2	11.5	3	165	660	30
3	7 1/2	6	7/8	1	6	4	5/8	11/16	3/8	1/2	10.0	3	165	660	30
4	9	6	7/8	1	7 1/2	8	5/8	11/16	3/8	1/2	7.5	3	165	660	30
5	10	6	7/8	1	8 1/2	8	3/4	11/16	3/8	1/2	6.0	3	150	600	30
6	11	6	7/8	1	9 1/2	8	3/4	11/16	3/8	1/2	5.5	3	150	600	30
8	13 1/2	6	7/8	1	11 3/4	8	3/4	11/16	3/8	1/2	5.0	3	150	600	30
10	16	8	7/8	1	14 1/4	12	7/8	11/16	3/8	1/2	4.5	3	150	600	30
12	19	8	7/8	1	17	12	7/8	11/16	3/8	1/2	3.8	3	150	600	30
14	21	8	1	1 1/8	18 3/4	12	1	11/16	3/8	1/2	3.3	2	90	360	30
16	23 1/2	8	1	1 1/8	21 1/4	16	1	11/16	3/8	1/2	2.8	2	70	280	30
18	25	8	1	1 1/8	22 3/4	16	1 1/8	13/16	7/16	1/2	2.5	1	70	280	30
20	27 1/2	8	1	1 1/8	25	20	1 1/8	13/16	7/16	1/2	2.5	1	70	280	30
22	29 1/2	10	1	1 1/8	27 1/4	20	1 1/4	15/16	1/2	1/2	2.3	1	70	280	30
24	32	10	1	1 1/8	29 1/2	20	1 1/4	15/16	1/2	1/2	2.0	1	70	280	30
26	34 1/4	10	1	1 1/8	31 3/4	24	1 1/4	15/16	1/2	1/2	2.0	1	60	240	30
28	36 1/2	10	1	1 1/8	34	28	1 1/4	15/16	1/2	1/2	2.0	1	60	240	30
30	38 3/4	10	1	1 1/8	36	28	1 1/4	15/16	1/2	1/2	2.0	1	60	240	30
34	43 3/4	10	1	1 1/8	40 1/2	32	1 1/2	15/16	1/2	1/2	1.8	1	60	240	30
36	46	10	1 1/8	1 1/4	42 3/4	32	1 1/2	15/16	1/2	1/2	1.5	1	60	240	30
40	50 3/4	10	1 1/8	1 1/4	47 1/4	36	1 1/2	15/16	1/2	1/2	1.5	1	60	240	30
42	53	12	1 1/8	1 1/4	49 1/2	36	1 1/2	11/16	9/16	1/2	1.5	1	60	240	30
44	55 1/4	12	1 1/8	1 1/4	51 3/4	40	1 1/2	11/16	9/16	1/2	1.5	1	60	240	30
48	59 1/2	12	1 1/8	1 1/4	56	44	1 1/2	11/16	9/16	1/2	1.3	1	60	240	30
50	61 3/4	12	1 1/8	1 1/4	58 1/4	44	1 3/4	11/16	9/16	1/2	1.5	1	60	240	30
54	66 1/4	12	1 1/8	1 1/4	62 3/4	44	1 3/4	11/16	9/16	1/2	1.3	1	60	240	30
56	68 3/4	12	1 1/8	1 1/4	65	48	1 3/4	11/16	9/16	1/2	1.3	1	60	240	30
60	73	12	1 1/8	1 1/4	69 1/4	52	1 3/4	11/16	9/16	1/2	1.0	1	60	240	30
66	80	12	1 1/8	1 1/4	76	52	1 3/4	11/16	9/16	1/2	1.0	1	60	240	30
72	86 1/2	12	1 1/8	1 1/4	82 1/2	60	1 3/4	11/16	9/16	1/2	0.9	1	50	200	30
78	93	12	1 1/8	1 1/4	88 3/4	60	2	11/16	9/16	1/2	0.9	1	50	200	30
84	99 3/4	12	1 1/8	1 1/4	95 1/2	64	2	11/16	9/16	1/2	0.8	1	50	200	30
90	106 1/2	12	1 1/8	1 1/4	102 1/4	68	2	11/16	9/16	1/2	0.8	1	50	200	30
96	113 1/4	12	1 1/8	1 1/4	108 1/2	68	2 1/4	11/16	9/16	1/2	0.7	1	50	200	30

\*Reduce movements 50% when using filled arches.

†Higher pressure joints are special design— Advise factory of requirements.

### Caution:

- Do not install any of the products in this bulletin at pressures or temperatures higher than the published ratings.
- Series 700 and HT700 must be installed against standard raised faced or flat faced flanges. Do not install them against recessed flanges such as Victaulic without calling the factory for proper steel filler flanges. If our rubber flanges do not have full bearing the expansion joint will be damaged and leak or fail.
- Pipe system flanges must be smooth and flat. Screw in brass inserts such as those used in check valves can damage the rubber faces if they project above the cast flange face.
- Water type check valves must exactly center on the rubber flanges. Valve O.D. and I.D. must conform to raised face dimensions.
- Use control rods as indicated on page 4.
- Check Chemical Resistance Guide CRG-MR1 for service elastomer compatibility.
- Follow installation instructions.

### Series 700 Higher Pressure Joints

Size (in)	Rated Standard Working Pressure (psi)						Vac. (in)
	700	710	720	730	740	750	
1-4	165	250	—	—	—	—	30
5-12	140	210	250	—	—	—	30
14	90	130	160	190	225	250	30
16-26	70	100	125	145	175	195	30
28-44	60	85	105	125	—	—	30
46-60	60	85	105	—	—	—	30
66-96	50	70	85	—	—	—	30

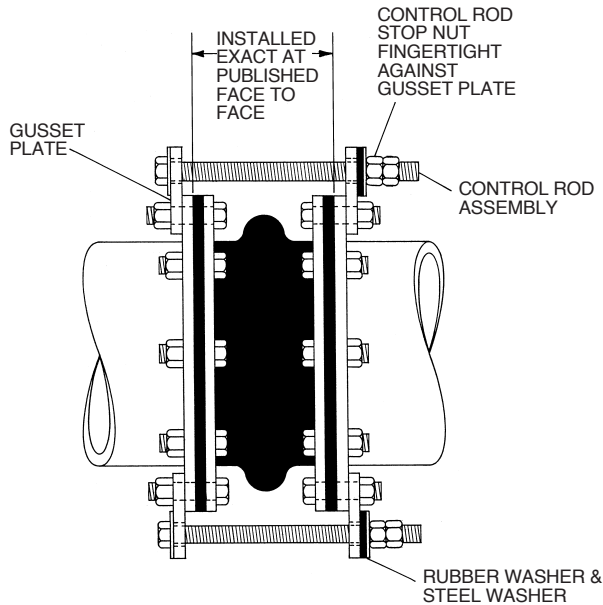
### Back-up Rings

Standard expansion joints are furnished with ASA-150 back-up rings. Series 300 ASA, Din, Pn, Jin and British Standards are also available, but sometimes at higher cost. Check factory for pricing.

## Unanchored Piping Applications

Series 700 & HT700 expansion joints used as noise & vibration dampeners installed in unanchored piping will overextend in response to system pressure & must be installed with control rod assemblies.

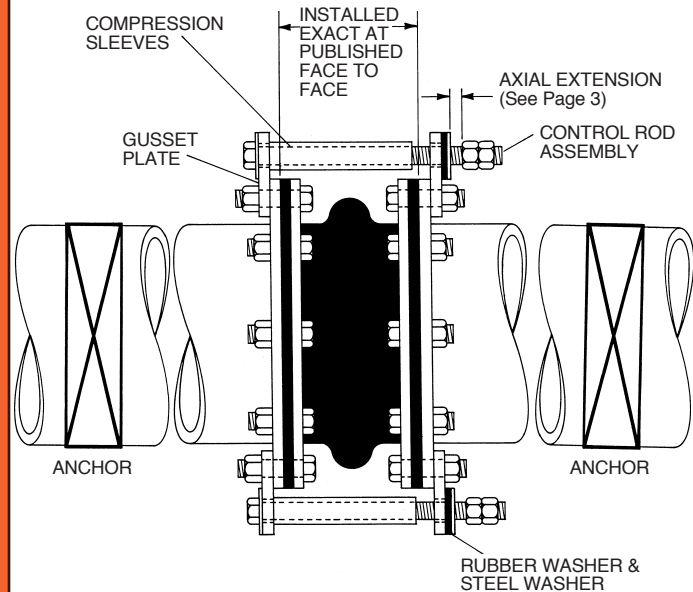
Adjust the spring mountings so the equipment is at proper elevation and level. Leave a space between pipe flanges equal to the expansion joint's face to face length shown on page 3. Install expansion joint and control rod assemblies. Control rod stop nuts should be finger tight against gusset plate. Lock in position with lock nut. Control rod assemblies will prevent extension of expansion joint & will not allow transfer of thrust load to spring supports of equipment and/or piping.



## Anchored Piping Applications

Series 700 & HT700 expansion joints used to compensate for thermal movement in properly anchored & guided piping systems generally do not require control rods, provided piping movements are within the allowables shown on page 3.

If, as an added precaution, designers elect to use control rods in anchored systems, the expansion joint should be installed at its exact published face to face length. When control rod assemblies are installed, the stop nuts should be backed away from the gusset plate a distance equal to the allowable extension of the joint. (See table, page 3) This will prevent overextension of the joint. Compression sleeves should also be employed. The compression sleeves are cut at the factory to the proper length to prevent over compression.



## Installation Instructions - 700 & HT700

### IMPORTANT:

- a. Do not weld in vicinity of expansion joint.
  - b. Do not lift expansion joint by bolt holes; use padded sling.
  - c. Never operate joint beyond its rated temperature, pressure or movements (see Mercer submittal).
  - d. Mating flanges must be flat or raised face. Do not mate with contoured flanges such as victaulic or similar configurations.
  - e. Check for chemical compatibility with the ordered material.
1. All pipelines must be properly supported, anchored and guided so joints do not carry pipe or thrust loads.
  2. If piping is not anchored, control units must be used.
  3. Use of control units and thrust sleeves will not protect piping in anchored situations. Expansion joints must be selected for adequate movement capability.
  4. Piping should be aligned. Misalignment or improper face to face openings will reduce the allowable motion by the initial inaccuracy. Joints are often damaged if forced into position.
  5. Apply a thin film of graphite, dispersed in glycerin or water to the rubber flange face

and between the back up ring and the back of the rubber flange to prevent rubber adhering to the mating metal flange for easy removal of the joint without damage. No gaskets or gasket sealants should be used.

6. Install bolts from the back up ring side to avoid bolt projections cutting the cover. If this is impossible, bolts should not project more than 1/8" past the nuts. Use washers over split ring gaps.
7. Unlike tightening hard flanges, tighten bolts in series making at least three complete circuits of each flange. Flanges will accept full bolt torque.
8. After system is in service at operating temperature, check the flange bolts and retighten as necessary. Repeat in a few weeks or if leaks develop. It is normal for rubber flanges to relax after initial installation. Check periodically until bolts remain tight.
9. Any gouges or cuts in the cover caused during installation should be inspected and sealed.
10. If control rods are used, the clearance between the rubber washer and the gusset plate should be the allowable axial elongation, if the expansion joint is installed at the published face to face. We do not

recommend precompression or extension as general practice but if the joint is compressed, the gap is increased by the decrease in length. If installed elongated, the gap is decreased by the increase in length. Hold one end against the control rod plate and the washers against the nut on the other end when measuring the gap.

### EXAMPLES

6" - 700 - Allowable Extension 3/8"

1. 6" - 700 is installed at published 6" face to face dimension.  
Set control rod gap to 3/8".
2. 6" - 700 is installed 5 3/4" long.  
Set control rod gap to 3/8" plus 1/4" = 5/8"
3. 6" - 700 is installed 6 1/4" long.  
Set control rod gap to 3/8" minus 1/4" = 1/8"
11. If compression sleeves are used, no setting is required as they are furnished to proper length.
12. If these instructions are not strictly adhered to, the Mercer one year guarantee is void. Joints should be checked at a maximum of one year intervals for signs of cracking and hardening. Expansion joints showing these symptoms must be replaced regardless of age.



# MERCER RUBBER Co.

350 Rabro Drive • Hauppauge, NY 11788 • Tel 631-582-1524 • FAX 631-348-0279

Email Info@Mercer-Rubber.com • Website www.Mercer-Rubber.com