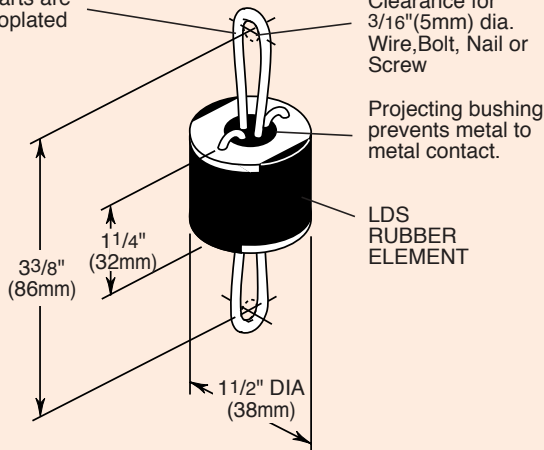


WHR 0.2"(5mm) DEFLECTION LDS CEILING HANGERS for Wire or Horizontal Attachment

All Metal Parts are Zinc Electroplated



Clearance for 3/16" (5mm) dia. Wire, Bolt, Nail or Screw

Projecting bushing prevents metal to metal contact.

LDS RUBBER ELEMENT

NOTE –
Tested to Failure at 1200 lbs. (544 kgs)

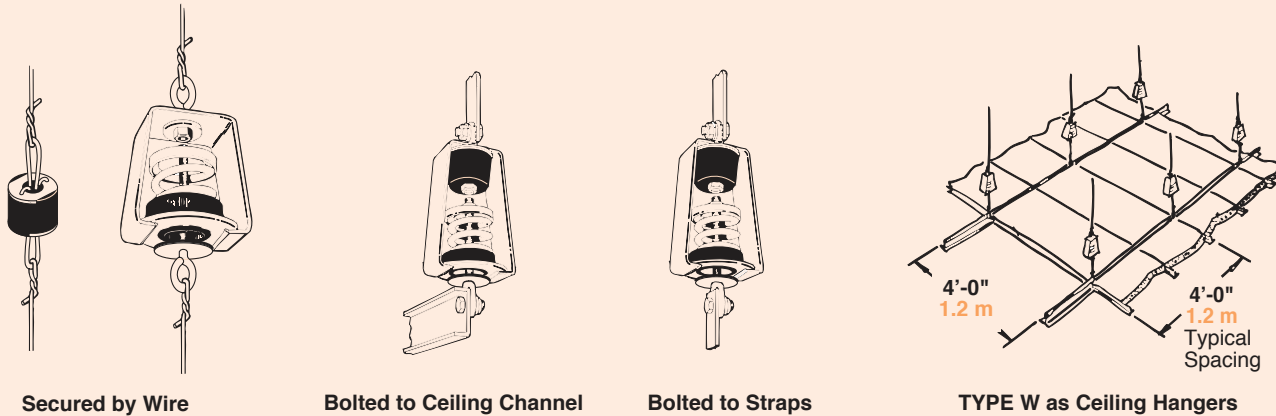
Ratings for LDS Ceiling Hangers

Type	Size (Duro-meter)	Rated Capacity Range (lbs) (kgs)	Rated Defl. (in) (mm)	Color Mark
WHR-	40	Up to 60 Up to 27	0.20 5	Green
	50	55-95 25-43	0.20 5	Red
	60	90-155 41-70	0.20 5	White
	70	150-220 68-100	0.20 5	Yellow

Hanger elements have straight line deflection curves.

For a complete presentation of Mason Ceiling Hangers, please refer to Bulletin CH-620 in the Architectural section.

W HANGER INSTALLATION METHODS



W Hanger Selections Based on Ceiling Weight

Ceiling Description	Ceiling Wt. (lbs/ft ²) (kg/m ²)		Load Per Hanger (48"oc) (lbs) (kgs)		W30 W30N WHS WDNHS	Hanger Selections	
						WHD	WHR
1"(25mm) Acoustical Ceiling Tile	2.5	12	40	18	X54	A-BLACK	40
1 1/2"(38mm) Metal Lath and Gypsum Plaster	10.0	49	160	73	X175	B-RED	70
2 Layers 1/2" (13mm) Gypsum Board	5.0	24	80	36	X113	A-RED	50
2 Layers 3/4" (19mm) Gypsum Board	7.5	37	120	54	X130	A-RED	60

PRODUCT FINISHES

All standard products have a painted or powder coated finish unless otherwise indicated. Springs are powder coated or zinc electroplated.

All hangers can be manufactured in stainless steel or hot dipped galvanized at additional cost.



MASON INDUSTRIES, INC.

350 Rabro Drive, Hauppauge, NY 11788 • 631/348-0282 • FAX 631/348-0279
2101 W. Crescent Ave., Suite D • Anaheim, CA 92801 • 714/535-2727 • FAX 714/535-5738
Email info@Mason-Ind.com • Website www.Mason-Ind.com