



MASON INDUSTRIES, Inc.

Manufacturers of Vibration Control Products

350 Rabro Drive
Hauppauge, NY 11788
631/348-0282
FAX 631/348-0279

2101 W. Crescent Ave., Suite D
Anaheim, CA 92801
714/535-2727
FAX 714/535-5738

Info@Mason-Ind.com • www.Mason-Ind.com

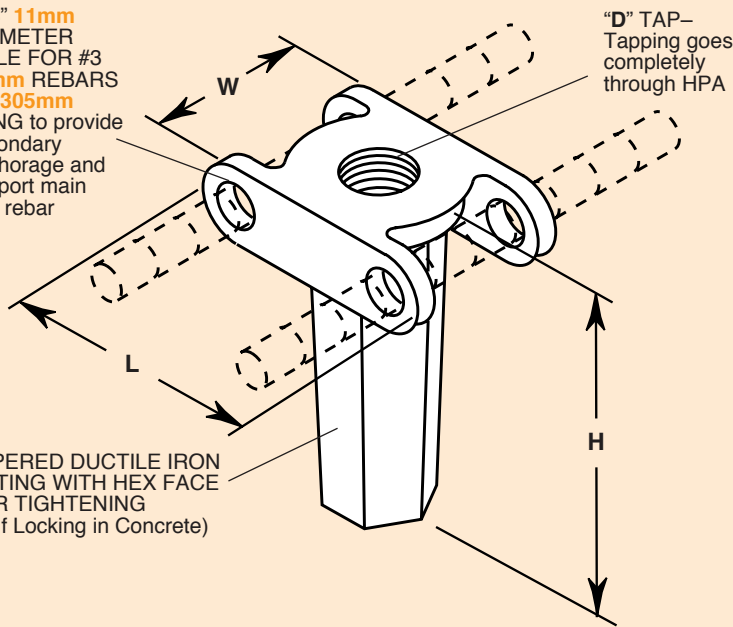
**SEISMIC
HOUSEKEEPING
PAD ANCHOR**

HPA

DATA SHEET DS-212-3

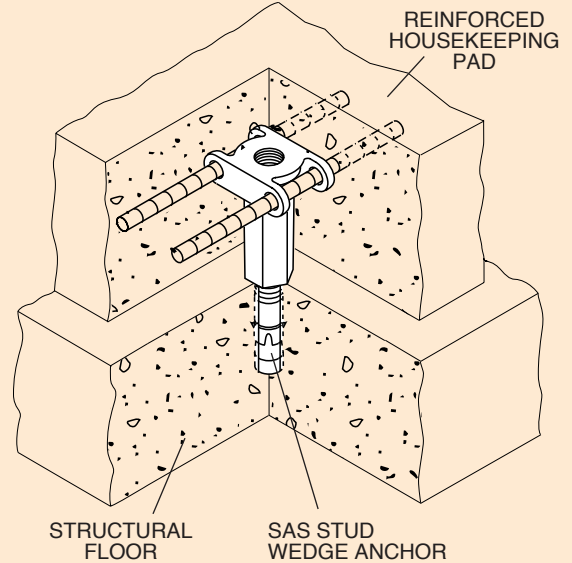
7/16" 11mm
DIAMETER
HOLE FOR #3
10mm REBARS
12" 305mm
LONG to provide
secondary
anchorage and
support main
pad rebar

TAPERED DUCTILE IRON
FITTING WITH HEX FACE
FOR TIGHTENING
(Self Locking in Concrete)



"D" TAP—
Tapping goes
completely
through HPA

Primary Function Housekeeping Pad Anchor



TYPE HPA DIMENSIONS (inches)

Size	L	W	H	D	SAS Stud Anchor Capacity in 3000 lb Concrete	
					Tension (lbs)	Shear (lbs)
HPA-1/2	21/8	11/4	3	1/2UNC	1073	1055
HPA-5/8	23/8	11/2	3	5/8UNC	1451	2845
HPA-3/4	23/4	13/4	3	3/4UNC	1665	3870

TYPE HPA DIMENSIONS (mm)

Size	L	W	H	D	SAS Stud Anchor Capacity in 20 Mpa Concrete	
					Tension (kgs)	Shear (kgs)
HPA-1/2	54	32	75	1/2UNC	487	480
HPA-5/8	60	38	75	5/8UNC	657	1290
HPA-3/4	70	44	75	3/4UNC	756	1755

A major cause of equipment restraint failure is the breaking up of housekeeping pads. Virtually all housekeeping pads are poured independently after completion of the structure. In many cases there is no mechanical attachment to the structural floor and the pad itself may not be reinforced.

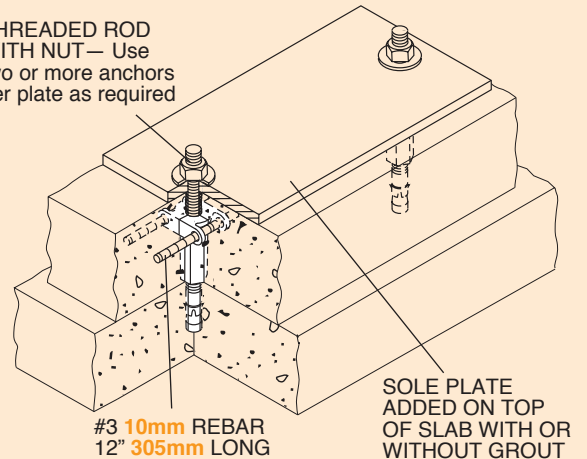
The floor diaphragm vibrates vertically and under resonant conditions generates more than 1g. This tosses the pad and the machine attached to it. As the pad crashes back it breaks up and the equipment loses all anchorage.

Since housekeeping pad sizes and locations are not established until after a machine room floor is poured there is no way to cast in rebar pad stirrups. There is an undefined engineering area as to who should design and what type of cast in restraints should be used. In designing the HPA anchor system we have assumed the responsibility as part of our system certification.

The HPA anchor is manufactured in three sizes and has three anchoring capacities. The inverted hexagonal pyramid is self-locking in the housekeeping pad and has provision for passing 2 #3 rebars through the holes on top for positioning the pad reinforcement system. The number of anchors that are needed depend on the HPA size and the vertical rating of the SAS stud anchor as listed.

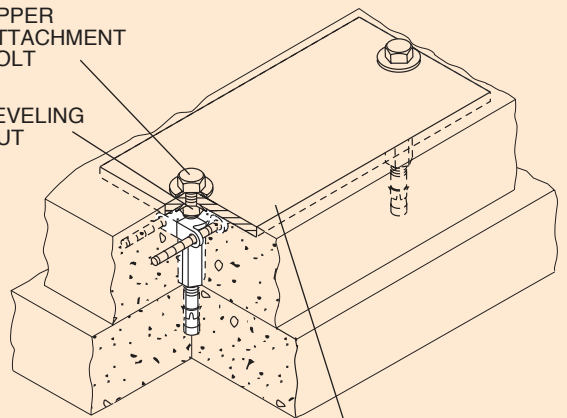
Housekeeping Pad and (Secondary Function) Sole Plate Anchor

THREADED ROD
WITH NUT— Use
two or more anchors
per plate as required



UPPER
ATTACHMENT
BOLT

LEVELING
NUT



SOLE PLATE EMBEDDED IN CONCRETE
TO REDUCE SHEAR ON ANCHOR BOLTS

If there are no overturning moments and we assume an upward force of 2g, the combined anchorage would equal the weight of the equipment plus the housekeeping pad. If there are vertical snubbers attached to the pad, HPA anchors should be clustered near that snubber.

Typical Pump Foundation

Housekeeping Pad 6' x 6' x 4"	
1829 mm x 1829 mm x 102 mm	= 1800 lbs. 816 kg.
Pump & Motor	= 4000 lbs. 1814 kg.
Concrete Inertia Base	= 2000 lbs. 907 kg.
	<hr/>
	7800 lbs. 3537 kg.

Assume 4 - 1500 lb. 680 kg equipment snubbers

Use 8 - 1/2" 13 mm HPA

Use 4 - Additional 1/2" 13 mm HPA down center of pad.

Installation Procedure

1. Lay out perimeter of housekeeping pad.
2. Drill 12- 1/2" 13 mm holes in the structural floor 3" 76 mm deep in the HPA locations shown on the drawing. If you hit rebar, shift the location.
3. Insert the 12- SAS 1/2" 13 mm anchors and place a 1/2" 13 mm standard washer over the stud.
4. Screw the small end of the HPA anchor on to the stud and tighten it hard with an adjustable or pipe wrench.
5. Insert the 12" 305 mm long #3 10 mm rebars through the tops.
6. Tie the reinforcing bars in place as shown on the drawing.
7. Complete the forms and pour the housekeeping pad, preferably with isolator, snubber or equipment anchor bolts in place to avoid the need to drill in anchors.

